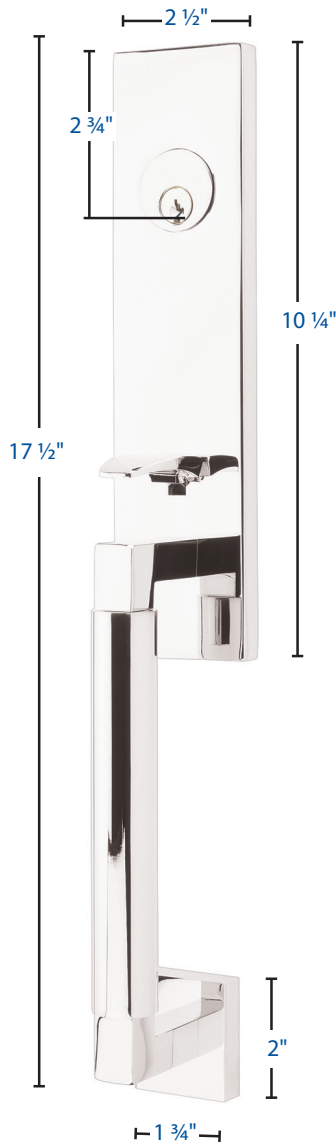


Hercules Sectional Smooth/Knurled Styles
Part # 4214 & 4217

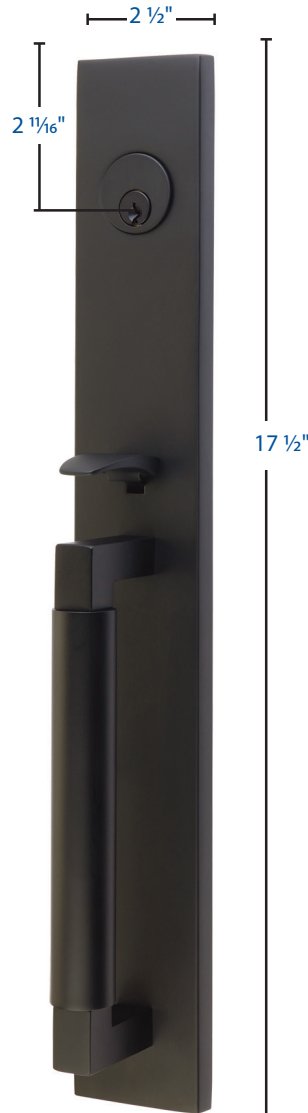
Additional Dimensions: (Part # 4214 & 4217)

- Exterior Projection is 2 1/2"
- Interior Projection Depends on Handle Style
- Overall Grip thickness: 1"
- Clearance between door & grip is 1 7/8"
- Plates thickness: 1/2"

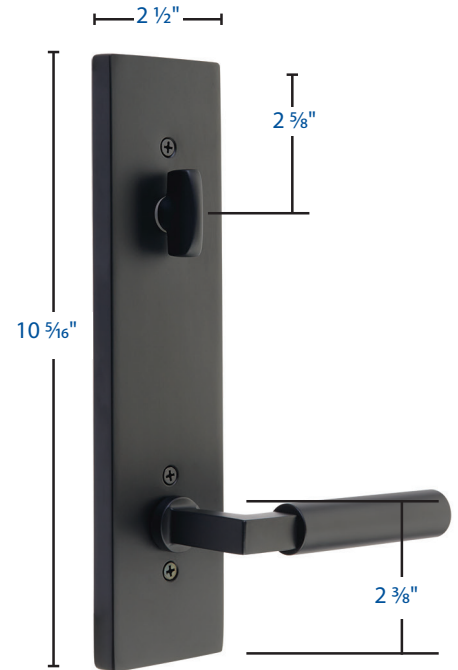
***Same Dimensions for
Double Cylinder & Dummy Function***



Hercules Monolithic Smooth/Knurled Styles
Part # 4215 & 4218



Hercules Full Length Smooth/Knurled Styles
Part # 4216 & 4219



Standard interior trim
Part # 4215 & 4218
4216 & 4219

Additional Dimensions: (Part # 4215 & 4218)

- Exterior Projection is 2 3/4"
- Interior Projection Depends on Handle Style
- Overall Grip thickness: 1"
- Clearance between door & grip is 1" - 1 3/4"
- Plates thickness: 1/2"

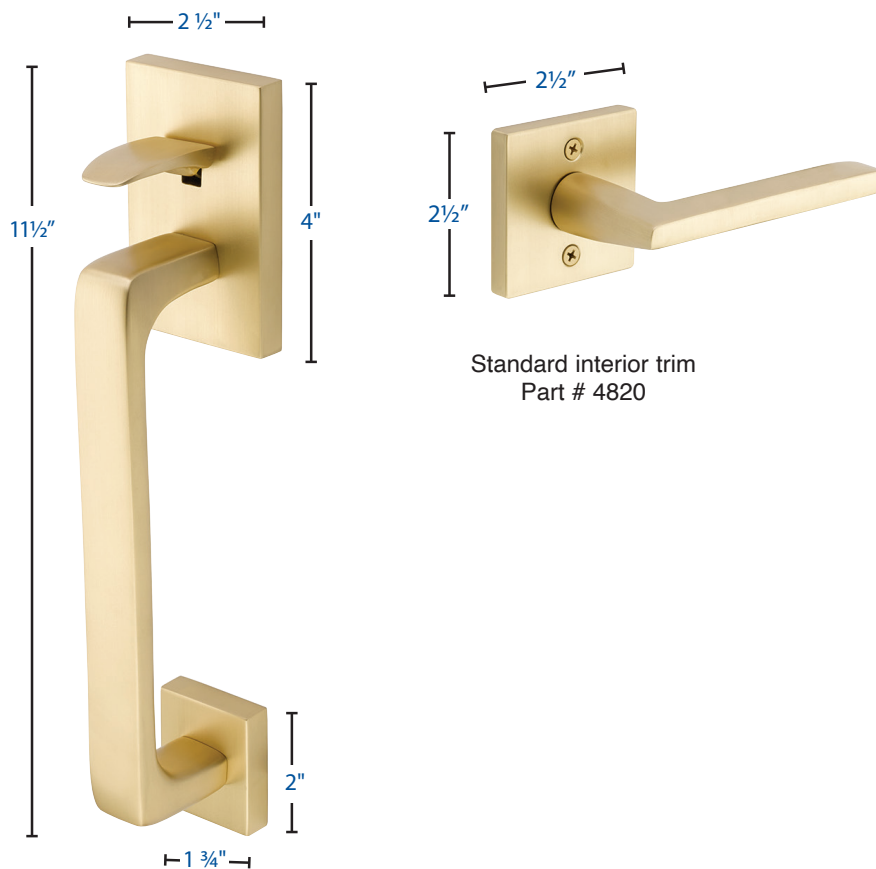
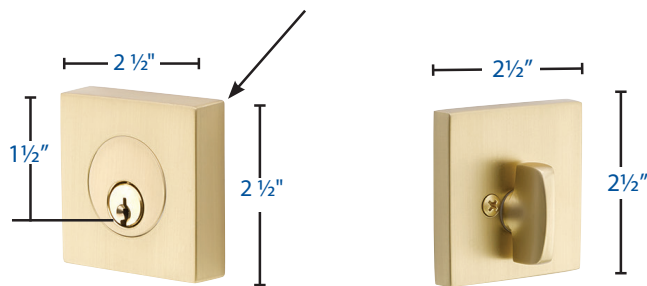
***Same Dimensions for
Double Cylinder & Dummy Function***

Additional Dimensions: (Part # 4216 & 4219)

- Exterior Projection is 2 3/4"
- Interior Projection Depends on Handle Style
- Overall Grip thickness: 1"
- Clearance between door & grip is 1 7/16"
- Plates thickness: 1/2"

***Same Dimensions for
Double Cylinder & Dummy Function***

Deadbolt Plate Thickness: 5/8"



Standard interior trim
Part # 4820

Baden Style
Part # 4820

Additional Dimensions: (Part # 4820)

- Exterior Projection is 2 1/2"
- Interior Projection Depends on Handle Style
- Overall Grip thickness: 1"
- Clearance between door & grip is 1 7/8"
- Plates thickness: 1/2"

**Same Dimensions for
Double Cylinder & Dummy Function**



Davos Style
Part # 4818



Lausanne Style
Part # 4819



Standard interior trim
Part # 4818 & 4819

Additional Dimensions: (Part # 4818)

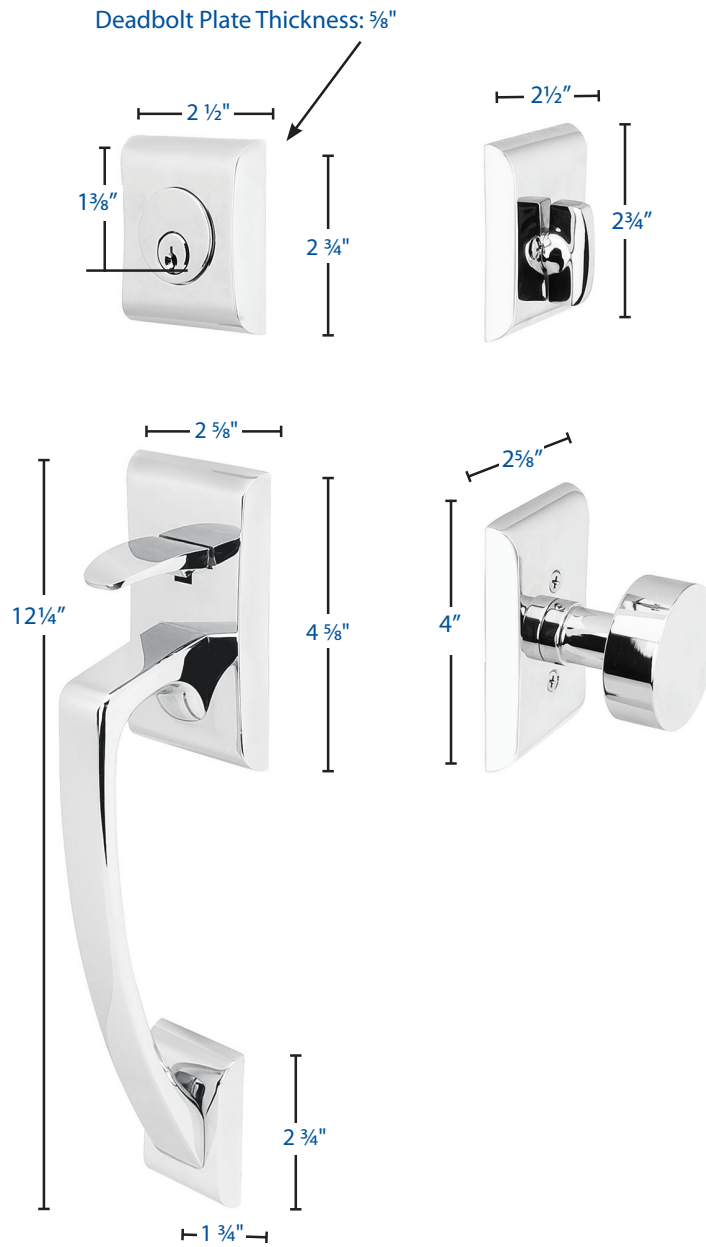
- Exterior Projection is 2 3/4"
- Interior Projection Depends on Handle Style
- Overall Grip thickness: 1"
- Clearance between door & grip is 1" - 1 3/4"
- Plates thickness: 1/2"

*Same Dimensions for
Double Cylinder & Dummy Function*

Additional Dimensions: (Part # 4819)

- Exterior Projection is 2 3/4"
- Interior Projection Depends on Handle Style
- Overall Grip thickness: 1"
- Clearance between door & grip is 1 1/16"
- Plates thickness: 1/2"

*Same Dimensions for
Double Cylinder & Dummy Function*

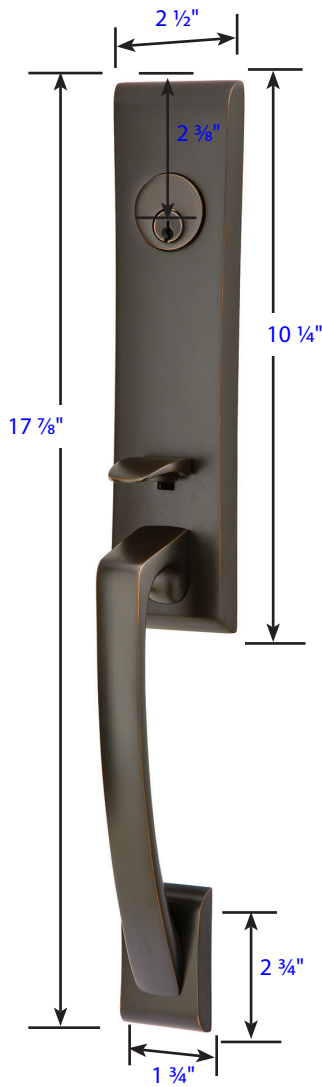


Ares Style
Part # 4817

Additional Dimensions: (Part # 4817)

- Exterior Projection is 2 3/4"
- Interior Projection Depends on Handle Style
- Overall Grip thickness: 1 1/16"
- Clearance between door & grip is 1" - 1 3/8"
- Plates thickness: 7/16"

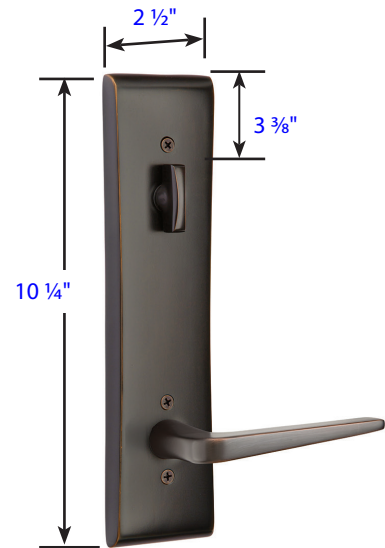
**Same Dimensions for
Double Cylinder & Dummy Function**



Apollo Style
Part # 4815



Orion Style
Part # 4816



Standard interior trim
Part # 4815 & 4816

Additional Dimensions: (Part # 4815)

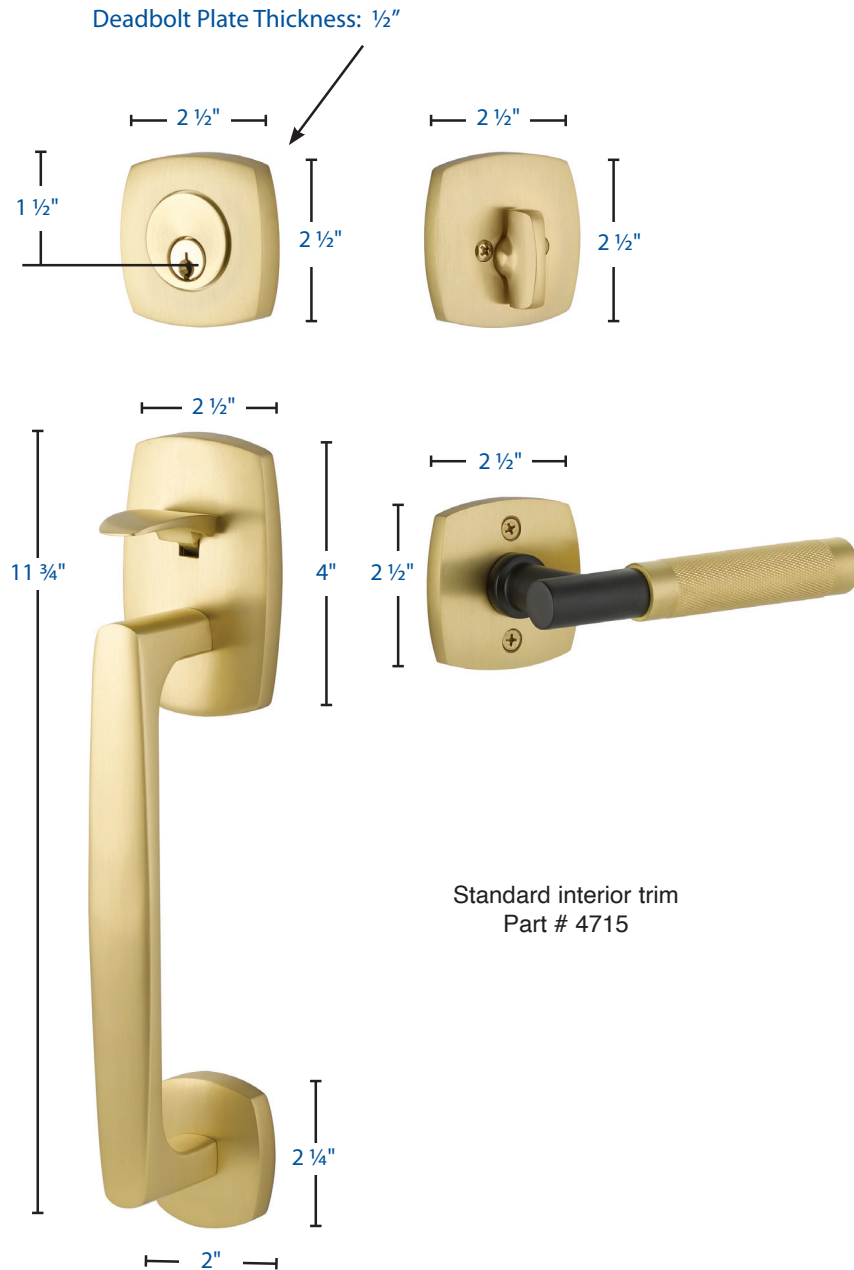
- Exterior Projection is 2 3/4"
- Interior Projection Depends on Handle Style
- Overall Grip thickness: 1"
- Clearance between door & grip is 2 1/4"
- Plates thickness: 1/2"

*Same Dimensions for
Double Cylinder & Dummy Function*

Additional Dimensions: (Part # 4816)

- Exterior Projection is 2 3/4"
- Interior Projection Depends on Handle Style
- Overall Grip thickness: 1"
- Clearance between door & grip is 1" - 1 3/4"
- Plates thickness: 1/2"

*Same Dimensions for
Double Cylinder & Dummy Function*



Standard interior trim
Part # 4715

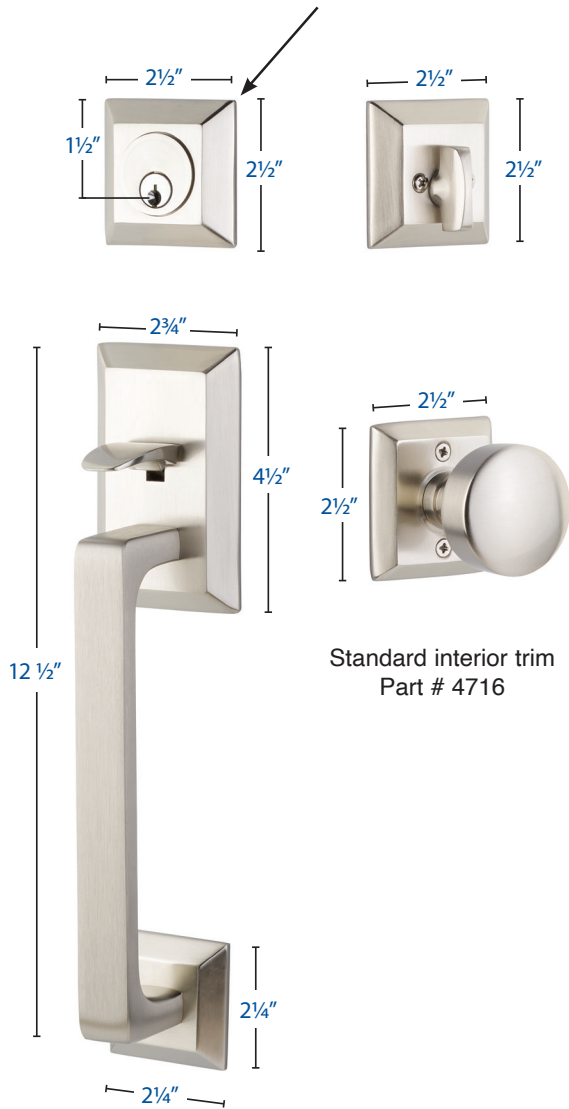
Urban Modern Sectional Style
Part # 4715

Additional Dimensions: (Part # 4715)

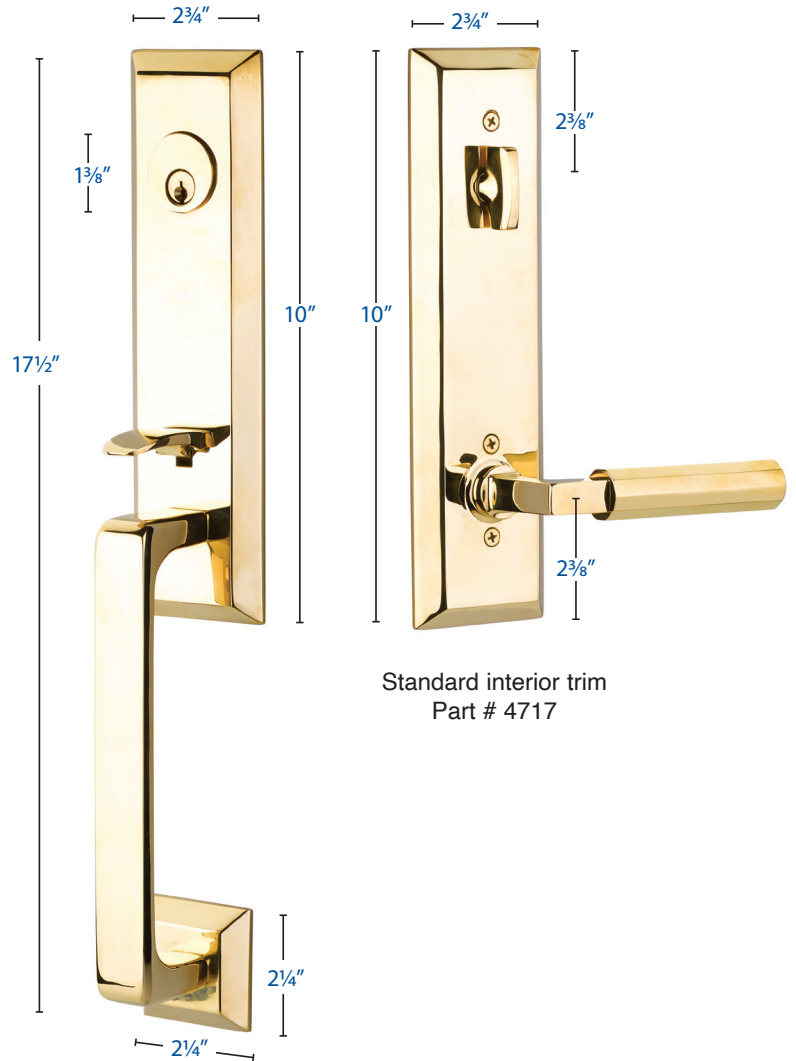
- Exterior Projection is 2 3/4"
- Interior Projection Depends on Handle Style
- Overall Grip thickness: 1 1/16"
- Clearance between door & grip is 1" - 1 3/8"
- Plates thickness: 1/2"

**Same Dimensions for
Double Cylinder & Dummy Function**

Deadbolt Plate Thickness: $\frac{5}{16}$ "



Transitional Heritage
Sectional
Part # 4716



Transitional Heritage
Monolithic
Part # 4717

Additional Dimensions: (Part # 4716)

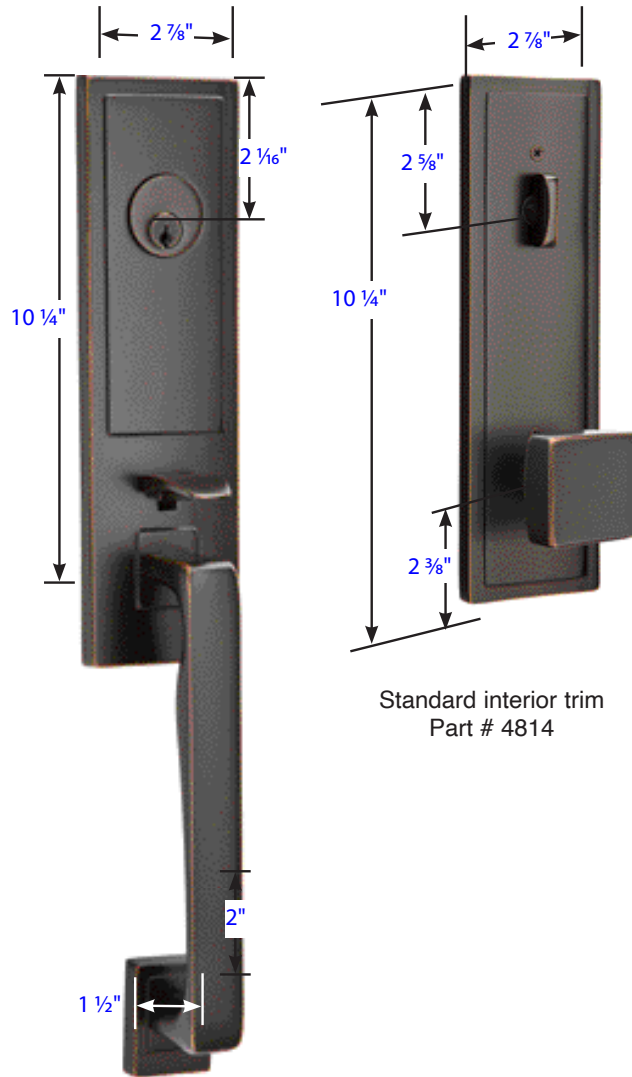
- Exterior Projection is $2\frac{1}{16}$ "
- Interior Projection Depends on Handle Style
- Interior Deadbolt Projection $1\frac{1}{4}$ "
- Overall Grip thickness: $1\frac{5}{16}$ "
- Clearance between door & grip is $1\frac{1}{16}$ "
- Plates thickness: $\frac{1}{2}$ "

*Same Dimensions for
Double Cylinder & Dummy Function*

Additional Dimensions: (Part # 4717)

- Exterior Projection is $2\frac{1}{16}$ "
- Interior Projection Depends on Handle Style
- Overall Grip thickness: $1\frac{5}{16}$ "
- Clearance between door & grip is $1\frac{1}{16}$ "
- Plates thickness: $\frac{1}{2}$ "

*Same Dimensions for
Double Cylinder & Dummy Function*



Zeus Style
Part # 4814

DISCONTINUED WITH INVENTORY

Additional Dimensions: (Part # 4814)

- Exterior Projection is 2 1/2"
- Interior Projection Depends on Handle Style
- Overall Grip thickness: 1 1/16"
- Clearance between door & grip is 1" - 1 3/8"
- Plates thickness: 7/16"

***Same Dimensions for
Double Cylinder & Dummy Function***

Brass Tubular Entryset Sectional, Single Cylinder

Urban Modern Sectional (4715), Transitional Heritage (4716), Baden (4820), Ares (4817), Hercules Smooth & Knurled (4214 & 4217)

- Standard Door Thickness: 1-3/4"- 2-1/8"

Standard Components:

- 1-1/2" Rosette Screws
- Single Cylinder Tailpiece
- Outside Entry Spindle
- Inside Passage Half Spindle
- 2-1/4" Deadbolt Mounting Screws
- Full-Lip Strike Plate
- Deadbolt Strike Plate

- **Extended** Door Thickness: 2-1/4"- 2-5/8"
- **Extended** Door Thickness: 2-5/8"- 3"

Extended Components:

- 2" Rosette Screws
- Long Single Cylinder Tailpiece
- Long Outside Entry Spindle
- Long Inside Passage Half Spindle
- 3" Deadbolt Mounting Screws
- Spindle Extensions
- Extended Full-Lip Strike Plate
- Deadbolt Strike Plate

Extended Components:

- 2-1/2" Rosette Screws
- Extra Long Single Cylinder Tailpiece
- Long Outside Entry Spindle
- Extra Long Inside Passage Half Spindle
- 3-1/2" Deadbolt Mounting Screws
- Spindle Extensions
- Extended Full-Lip Strike Plate
- Deadbolt Strike Plate

Brass Tubular Entryset Sectional, Double Cylinder

Urban Modern Sectional (4715), Transitional Heritage (4726), Baden (4830), Ares (4827), Hercules Smooth & Knurled (4224 & 4227)

- Standard Door Thickness: 1-5/8"- 2-1/8"

Standard Components:

- 1-1/2" Rosette Screws
- Double Cylinder Tailpiece
- Outside Entry Spindle
- Inside Passage Half Spindle
- 2-1/4" & 2-1/2" Deadbolt Mounting Screws
- Full-Lip Strike Plate
- Deadbolt Strike Plate

- **Extended** Door Thickness: 2-1/4"- 2-5/8"
- **Extended** Door Thickness: 2-5/8"- 2-7/8"

Extended Components:

- 2" Rosette Screws
- Long Double Cylinder Tailpiece
- Long Outside Entry Spindle
- Long Inside Passage Half Spindle
- 3" Deadbolt Mounting Screws
- Spindle Extensions
- Extended Full-Lip Strike Plate
- Deadbolt Strike Plate

Extended Components:

- 2-1/2" Rosette Screws
- Extra Long Double Cylinder Tailpiece
- Long Outside Entry Spindle
- Extra Long Inside Passage Half Spindle
- 3-1/2" Deadbolt Mounting Screws
- Spindle Extensions
- Extended Full-Lip Strike Plate
- Deadbolt Strike Plate

Brass Tubular Entryset Monolithic & Full Length, Single Cylinder

Transitional Heritage (4717), Davos (4818), Lausanne (4819), Apollo (4815), Orion (4816), Zeus (4814)
Hercules Smooth & Knurled (4215 & 4218) (4216 & 4219)

- Standard Door Thickness: 1³/₄"- 2¹/₈"

Standard Components:

- 1¹/₂" Rosette Screws
- Single Cylinder Tailpiece
- Outside Entry Spindle
- Inside Passage Half Spindle
- 2¹/₄" Deadbolt Mounting Screws
- Full-Lip Strike Plate
- Deadbolt Strike Plate

- **Extended** Door Thickness: 2¹/₄"- 2¹/₂"
- **Extended** Door Thickness: 2¹/₂"- 3"

Extended Components:

- 2" Rosette Screws
- Long Single Cylinder Tailpiece
- Long Outside Entry Spindle
- Long Inside Passage Half Spindle
- 3" Deadbolt Mounting Screws
- Spindle Extensions
- Extended Full-Lip Strike Plate
- Deadbolt Strike Plate

Extended Components:

- 2¹/₂" Rosette Screws
- Extra Long Single Cylinder Tailpiece
- Long Outside Entry Spindle
- Extra Long Inside Passage Half Spindle
- 3" Deadbolt Mounting Screws
- Spindle Extensions
- Extended Full-Lip Strike Plate
- Deadbolt Strike Plate

Brass Tubular Entryset Monolithic & Full Length, Double Cylinder

Transitional Heritage (4727), Davos (4828), Lausanne (4829), Apollo (4825), Orion (4826), Zeus (4824)
Hercules Smooth & Knurled (4225 & 4228) (4226 & 4229)

- Standard Door Thickness: 1³/₄"- 2"

Standard Components:

- 1¹/₂" Rosette Screws
- Double Cylinder Tailpiece
- Outside Entry Spindle
- Inside Passage Half Spindle
- 2¹/₄" Deadbolt Mounting Screws
- Full-Lip Strike Plate
- Deadbolt Strike Plate

- **Extended** Door Thickness: 2"- 2⁵/₈"

Extended Components:

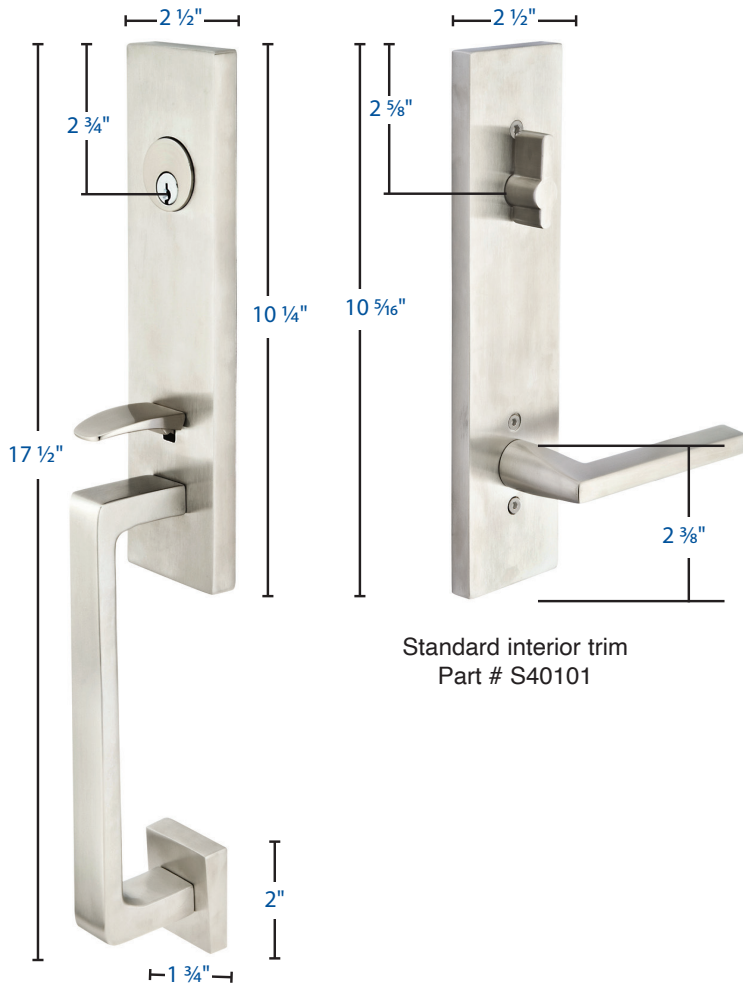
- 2" Rosette Screws
- Long Double Cylinder Tailpiece
- Long Outside Entry Spindle
- Long Inside Passage Half Spindle
- 3" Deadbolt Mounting Screws
- Spindle Extensions
- Extended Full-Lip Strike Plate
- Deadbolt Strike Plate

- **Extended** Door Thickness: 2⁵/₈"- 2⁷/₈"

Extended Components:

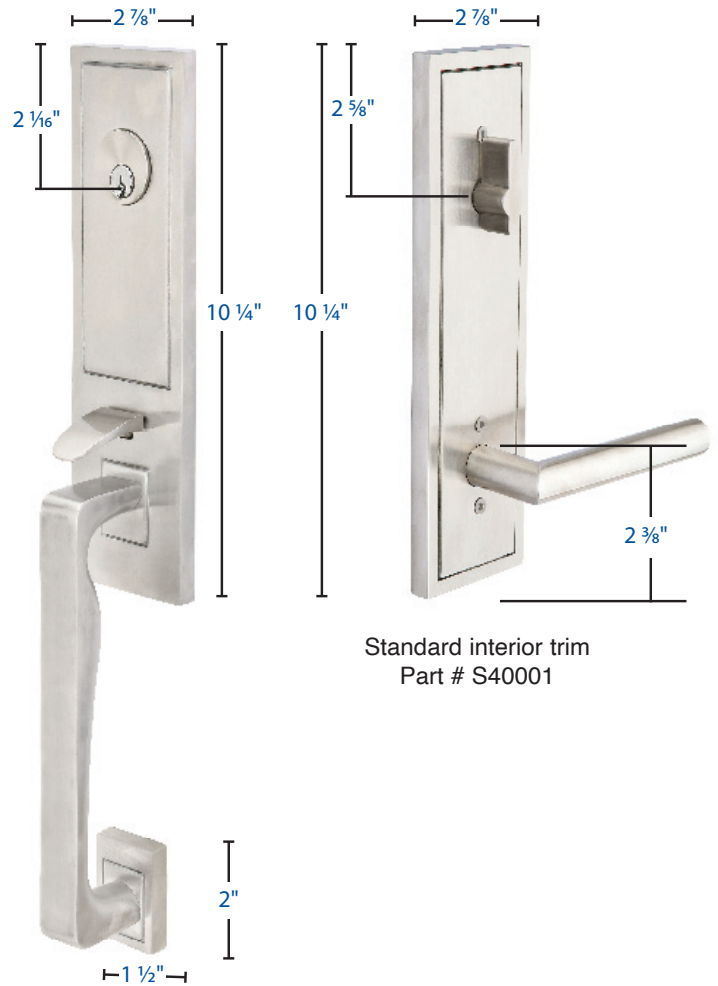
- 2¹/₂" Rosette Screws
- Long Double Cylinder Tailpiece
- Long Outside Entry Spindle
- Extra Long Inside Passage Half Spindle
- 3¹/₂" Deadbolt Mounting Screws
- Spindle Extensions
- Extended Full-Lip Strike Plate
- Deadbolt Strike Plate

* Part # DB4-COLLAR32 Available for 1³/₈" Thick Doors



Standard interior trim
Part # S40101

STAINLESS STEEL
Davos Style
Part # S40101



Standard interior trim
Part # S40001

STAINLESS STEEL
Zeus Style
Part # S40001

DISCONTINUED WITH INVENTORY

Additional Dimensions: (Part # S40101)

- Exterior Projection is 2 3/4"
- Interior Projection Depends on Handle Style
- Overall Grip thickness: 1"
- Clearance between door & grip is 1" - 1 3/4"
- Plates thickness: 1/2"

Same Dimensions for Dummy Function

Additional Dimensions: (Part # S40001)

- Exterior Projection is 2 1/2"
- Interior Projection Depends on Handle Style
- Overall Grip thickness: 1 1/16"
- Clearance between door & grip is 1" - 1 3/8"
- Plates thickness: 7/16"

**Same Dimensions for
Double Cylinder & Dummy Function**

Stainless Steel Tubular Entryset Monolithic, Single Cylinder

STAINLESS STEEL Davos (S40101), STAINLESS STEEL Zeus (S40001)

• Standard Door Thickness: 1³/₄"- 2¹/₈"

Standard Components:

- 1¹/₂" Rosette Screws
- Single Cylinder Tailpiece
- Outside Entry Spindle
- Inside Passage Half Spindle
- 2¹/₄" Deadbolt Mounting Screws
- Full-Lip Strike Plate
- Deadbolt Strike Plate

• *Extended* Door Thickness: 2¹/₄"- 2¹/₂"

Extended Components:

- 2" Rosette Screws
- Long Single Cylinder Tailpiece
- Long Outside Entry Spindle
- Long Inside Passage Half Spindle
- 3" Deadbolt Mounting Screws
- Spindle Extensions
- Extended Full-Lip Strike Plate
- Deadbolt Strike Plate

• *Extended* Door Thickness: 2¹/₂"- 3"

Extended Components:

- 2¹/₂" Rosette Screws
- Extra Long Single Cylinder Tailpiece
- Long Outside Entry Spindle
- Extra Long Inside Passage Half Spindle
- 3" Deadbolt Mounting Screws
- Spindle Extensions
- Extended Full-Lip Strike Plate
- Deadbolt Strike Plate

Stainless Steel Entryset Monolithic, Double Cylinder

STAINLESS STEEL Zeus (S40002)

• Standard Door Thickness: 1³/₄"- 2"

Standard Components:

- 1¹/₂" Rosette Screws
- Double Cylinder Tailpiece
- Outside Entry Spindle
- Inside Passage Half Spindle
- 2¹/₄" Deadbolt Mounting Screws
- Full-Lip Strike Plate
- Deadbolt Strike Plate

• *Extended* Door Thickness: 2"- 2⁵/₈"

Extended Components:

- 2" Rosette Screws
- Long Double Cylinder Tailpiece
- Long Outside Entry Spindle
- Long Inside Passage Half Spindle
- 3" Deadbolt Mounting Screws
- Spindle Extensions
- Extended Full-Lip Strike Plate
- Deadbolt Strike Plate

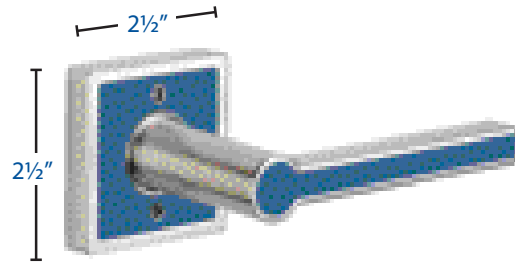
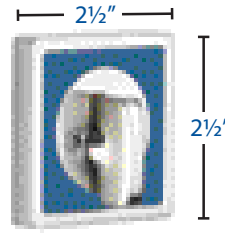
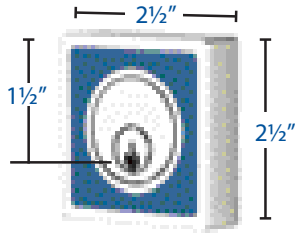
• *Extended* Door Thickness: 2⁵/₈"- 2⁷/₈"

Extended Components:

- 2¹/₂" Rosette Screws
- Long Double Cylinder Tailpiece
- Long Outside Entry Spindle
- Extra Long Inside Passage Half Spindle
- 3¹/₂" Deadbolt Mounting Screws
- Spindle Extensions
- Extended Full-Lip Strike Plate
- Deadbolt Strike Plate

* Part # DB4-COLLAR32 Available for 1³/₈" Thick Doors

Deadbolt Plate Thickness: 5/8"



CONTEMPORARY
COLOR COLLECTION
Martinique Style
Part # L4820

Standard interior trim
Part # L4820

DISCONTINUED WITH INVENTORY

Color Insert Options



Additional Dimensions: (Part # L4820)

- Exterior Projection is 2 1/2"
- Interior Projection Depends on Handle Style
- Overall Grip thickness: 1"
- Clearance between door & grip is 1 7/8"
- Plates thickness: 1/2"

**Same Dimensions for
Double Cylinder & Dummy Function**

Tubular Entryset Sectional, Single Cylinder

Martinique (L4820)

- Standard Door Thickness: 1-3/4"- 2-1/8"

Standard Components:

- 1-1/2" Rosette Screws
- Single Cylinder Tailpiece
- Outside Entry Spindle
- Inside Passage Half Spindle
- 2-1/4" Deadbolt Mounting Screws
- Full-Lip Strike Plate
- Deadbolt Strike Plate

- **Extended** Door Thickness: 2-1/4"- 2-5/8"

Extended Components:

- 2" Rosette Screws
- Long Single Cylinder Tailpiece
- Long Outside Entry Spindle
- Long Inside Passage Half Spindle
- 3" Deadbolt Mounting Screws
- Spindle Extensions
- Extended Full-Lip Strike Plate
- Deadbolt Strike Plate

- **Extended** Door Thickness: 2-5/8"- 3"

Extended Components:

- 2-1/2" Rosette Screws
- Extra Long Single Cylinder Tailpiece
- Long Outside Entry Spindle
- Extra Long Inside Passage Half Spindle
- 3-1/2" Deadbolt Mounting Screws
- Spindle Extensions
- Extended Full-Lip Strike Plate
- Deadbolt Strike Plate

Tubular Entryset Sectional, Double Cylinder

Martinique (L4830)

- Standard Door Thickness: 1-5/8"- 2-1/8"

Standard Components:

- 1-1/2" Rosette Screws
- Double Cylinder Tailpiece
- Outside Entry Spindle
- Inside Passage Half Spindle
- 2-1/4" & 2-1/2" Deadbolt Mounting Screws
- Full-Lip Strike Plate
- Deadbolt Strike Plate

- **Extended** Door Thickness: 2-1/4"- 2-5/8"

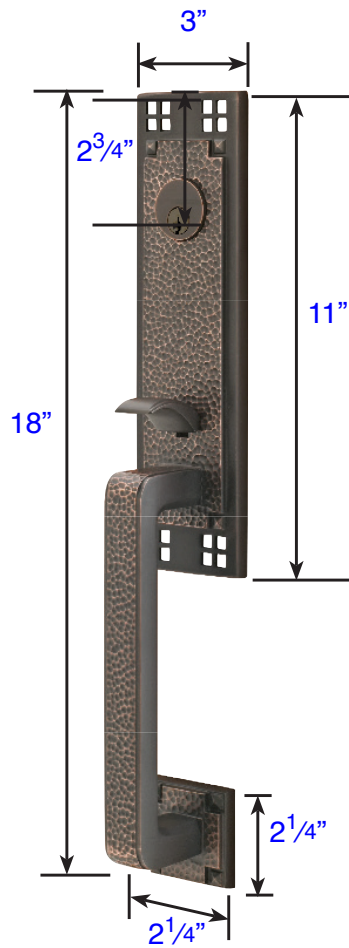
Extended Components:

- 2" Rosette Screws
- Long Double Cylinder Tailpiece
- Long Outside Entry Spindle
- Long Inside Passage Half Spindle
- 3" Deadbolt Mounting Screws
- Spindle Extensions
- Extended Full-Lip Strike Plate
- Deadbolt Strike Plate

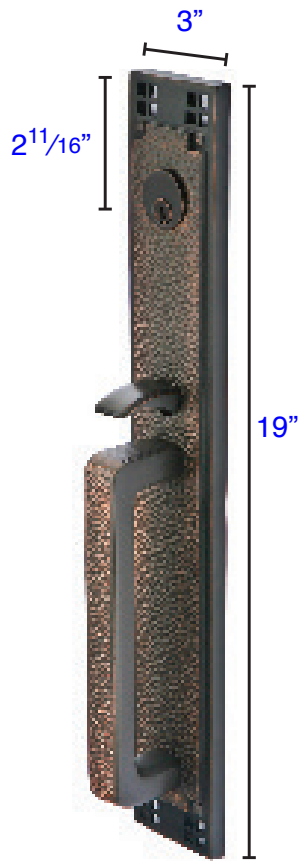
- **Extended** Door Thickness: 2-5/8"- 2-7/8"

Extended Components:

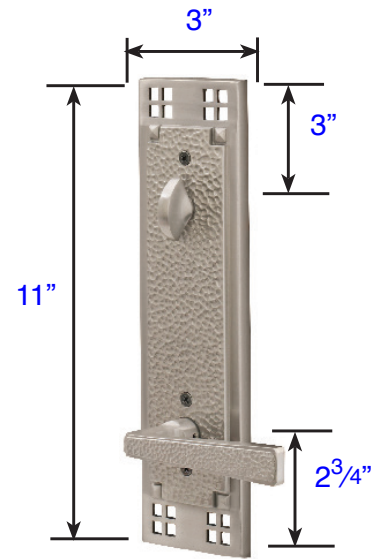
- 2-1/2" Rosette Screws
- Extra Long Double Cylinder Tailpiece
- Long Outside Entry Spindle
- Extra Long Inside Passage Half Spindle
- 3-1/2" Deadbolt Mounting Screws
- Spindle Extensions
- Extended Full-Lip Strike Plate
- Deadbolt Strike Plate



Arts & Crafts Style
Part # 4811



Arts & Crafts Full Length Style
Part # 4812

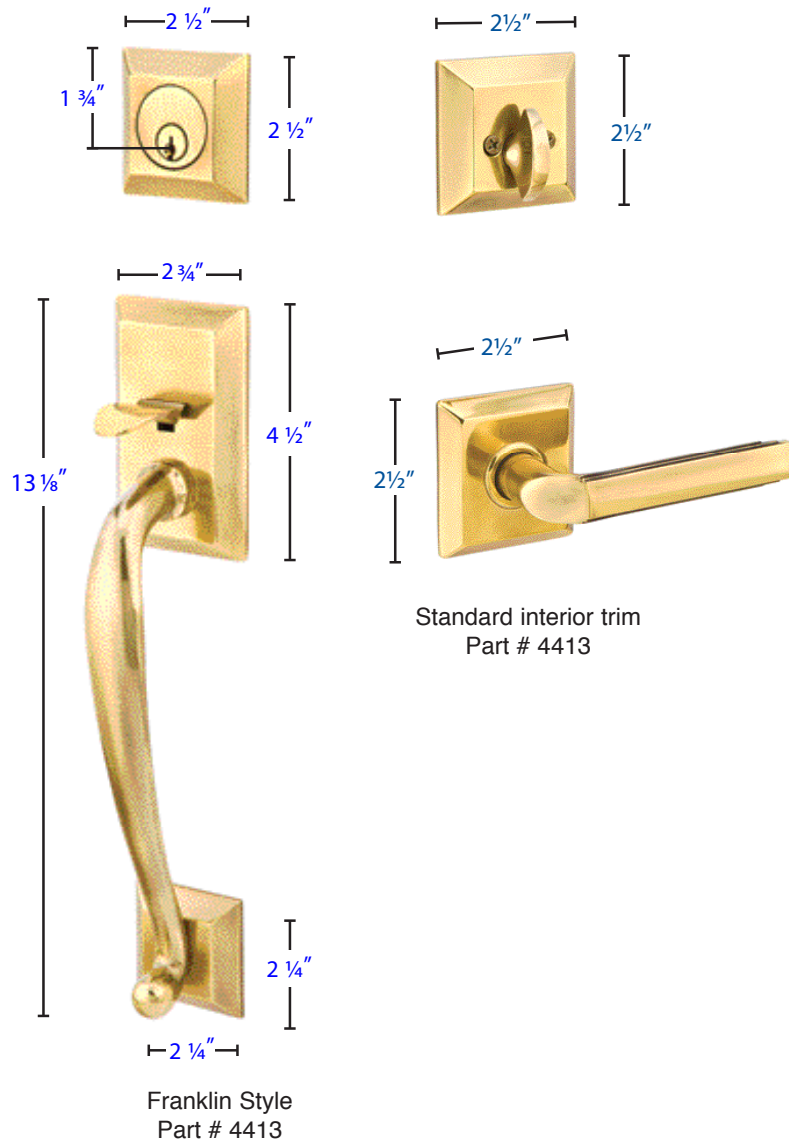


Standard interior trim
Part # 4811 & 4812

Additional Dimensions: (Part # 4811 & 4812)

- Exterior Projection is $2\frac{5}{8}$ "
- Interior Projection Depends on Handle Style
- Overall Grip thickness: $1\frac{1}{4}$ "
- Clearance between door & grip is $1\frac{1}{2}$ "
- Plates thickness: $\frac{1}{2}$ "

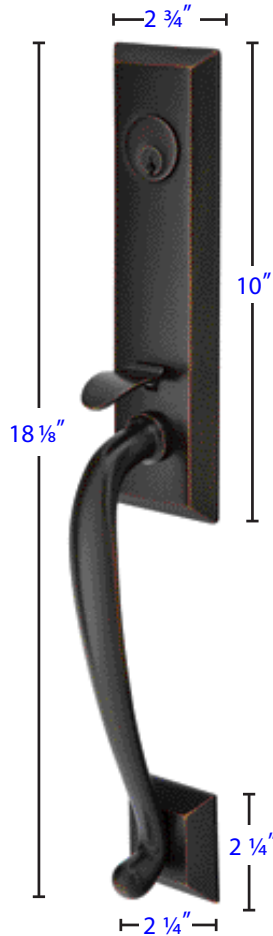
**Same Dimensions for
Double Cylinder & Dummy Function**



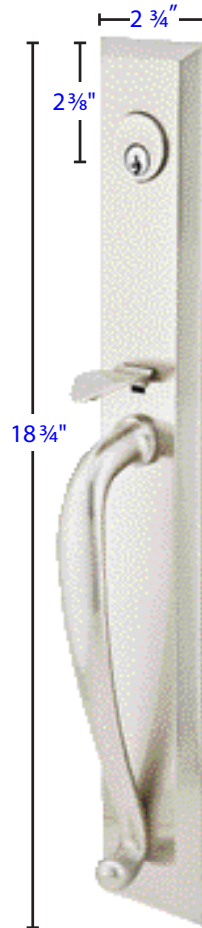
Additional Dimensions: (Part # 4413)

- Exterior Projection is $2\frac{11}{16}"$
- Interior Projection Depends on Handle Style
- Overall Grip thickness: $1\frac{5}{16}"$
- Clearance between door & grip is $1\frac{9}{16}"$
- Plates thickness: $\frac{1}{2}"$

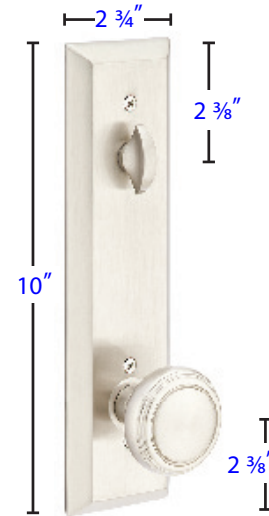
***Same Dimensions for
Double Cylinder & Dummy Function***



Adams Style
Part # 4414



Jefferson Trim Style
Part # 4415



Standard interior trim
Part # 4414 & 4415

Additional Dimensions: (Part # 4414)

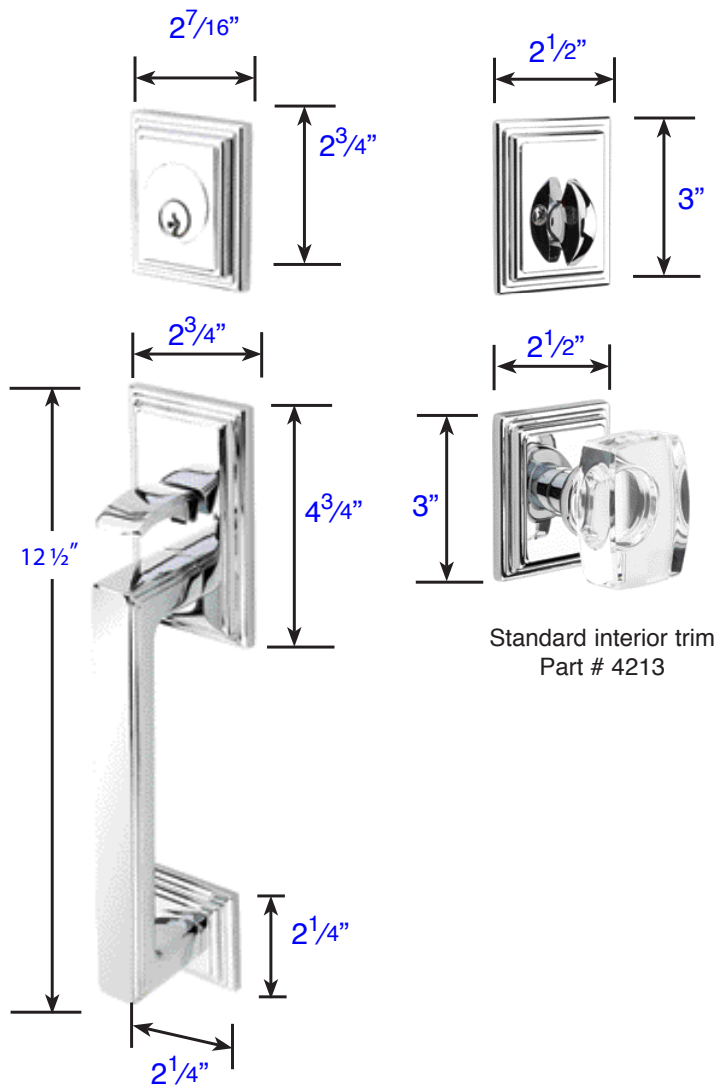
- Exterior Projection is $2\frac{11}{16}$ "
- Interior Projection Depends on Handle Style
- Overall Grip thickness: $1\frac{5}{16}$ "
- Clearance between door & grip is $1\frac{9}{16}$ "
- Plates thickness: $\frac{1}{2}$ "

*Same Dimensions for
Double Cylinder & Dummy Function*

Additional Dimensions: (Part # 4415)

- Exterior Projection is $2\frac{3}{4}$ "
- Interior Projection Depends on Handle Style
- Overall Grip thickness: $1\frac{1}{4}$ "
- Clearance between door & grip is 2"
- Plates thickness: $\frac{1}{2}$ "

*Same Dimensions for
Double Cylinder & Dummy Function*



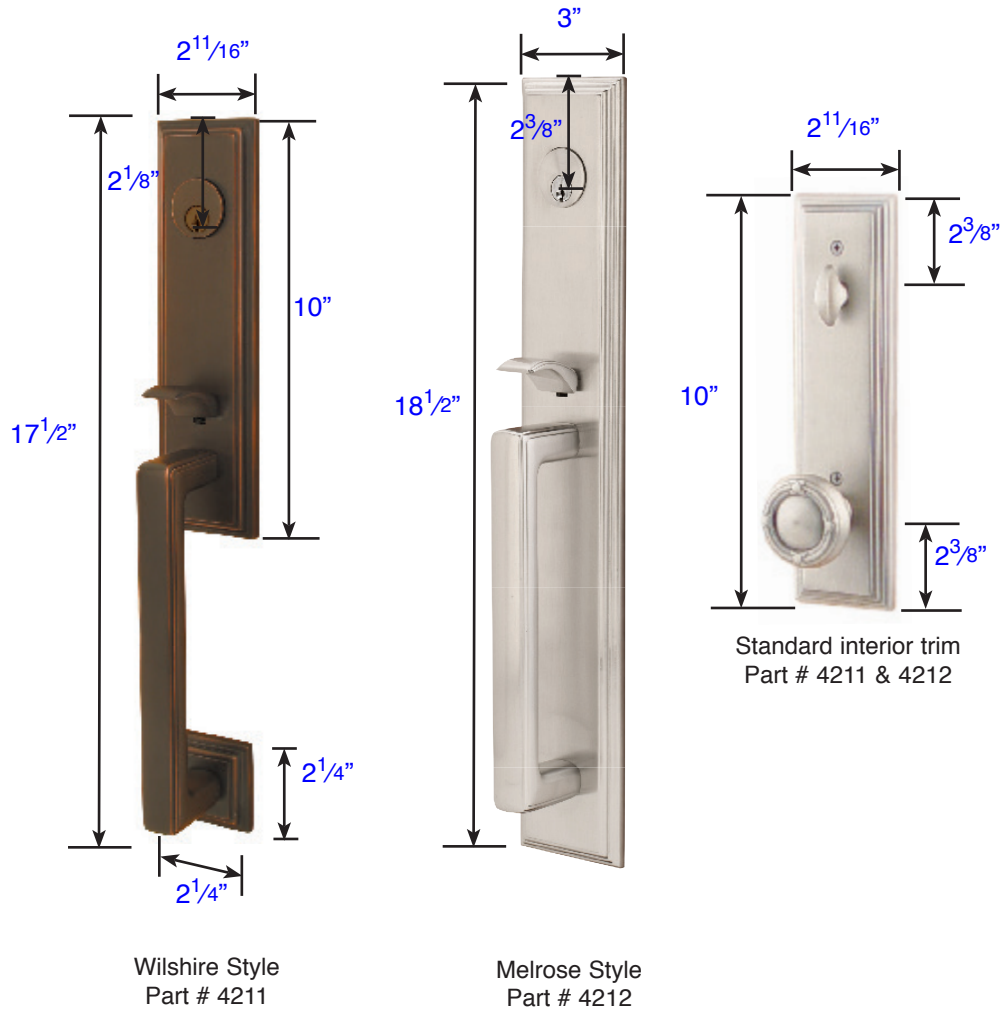
Standard interior trim
Part # 4213

Hamden Style
Part # 4213

Additional Dimensions: (Part # 4213)

- Exterior Projection is $2\frac{5}{8}$ "
- Interior Projection Depends on Handle Style
- Overall Grip thickness: 1"
- Clearance between door & grip is $1\frac{3}{8}$ "
- Plates thickness: $\frac{1}{2}$ "

***Same Dimensions for
Double Cylinder & Dummy Function***



Wilshire Style
 Part # 4211

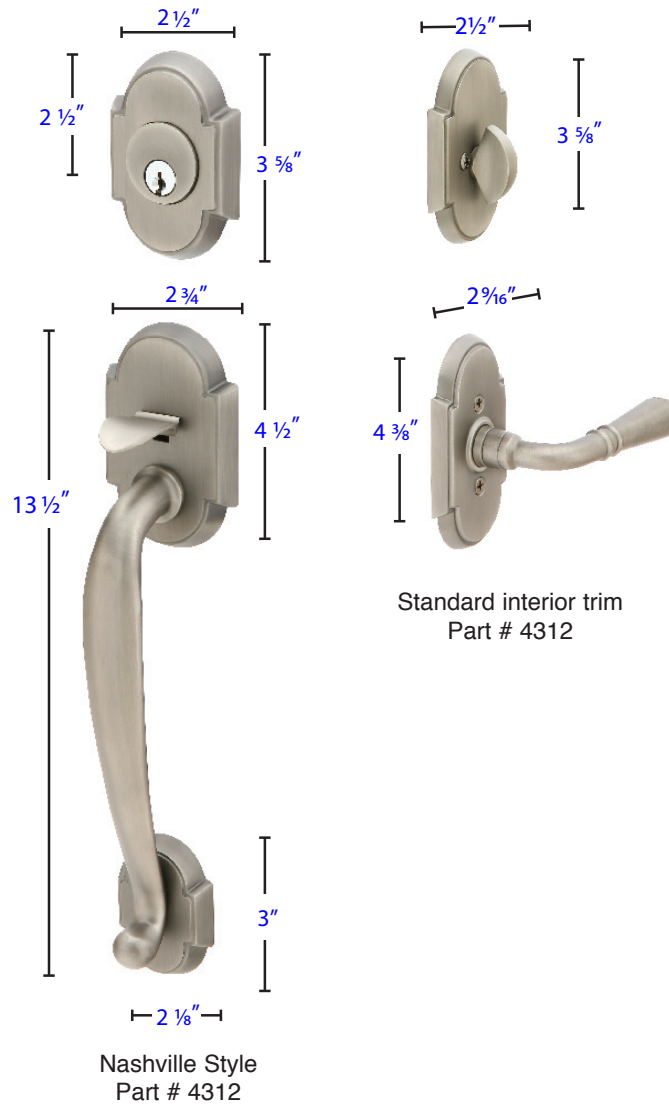
Melrose Style
 Part # 4212

Standard interior trim
 Part # 4211 & 4212

Additional Dimensions: (Part # 4211 & 4212)

- Exterior Projection is 2⁵/₈"
- Interior Projection Depends on Handle Style
- Overall Grip thickness: 1"
- Clearance between door & grip is 1³/₈"
- Plates thickness: 1/2"

***Same Dimensions for
 Double Cylinder & Dummy Function***



Additional Dimensions: (Part # 4312)

- Exterior Projection is 2¹¹/₁₆"
- Interior Projection Depends on Handle Style
- Overall Grip thickness: 1¹/₄"
- Clearance between door & grip is 1¹⁵/₁₆"
- Plates thickness: 1/2"

*Same Dimensions for
Double Cylinder & Dummy Function*



Richmond Style
Part # 4313

Wilmington Style
Part # 4314

Standard interior trim
Part # 4313 & 4314

Additional Dimensions: (Part # 4313)

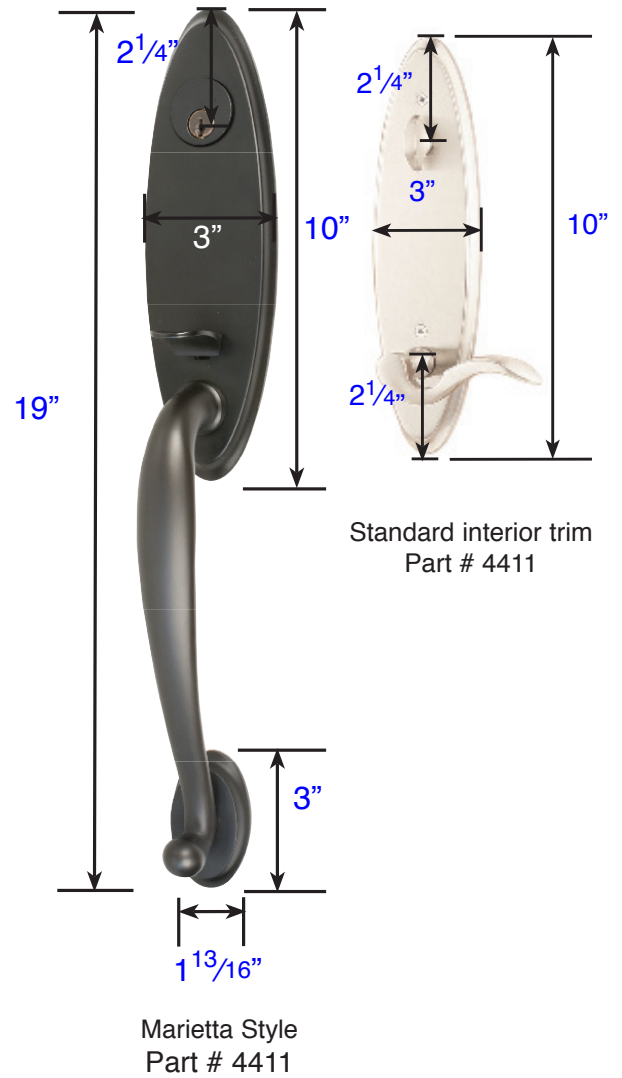
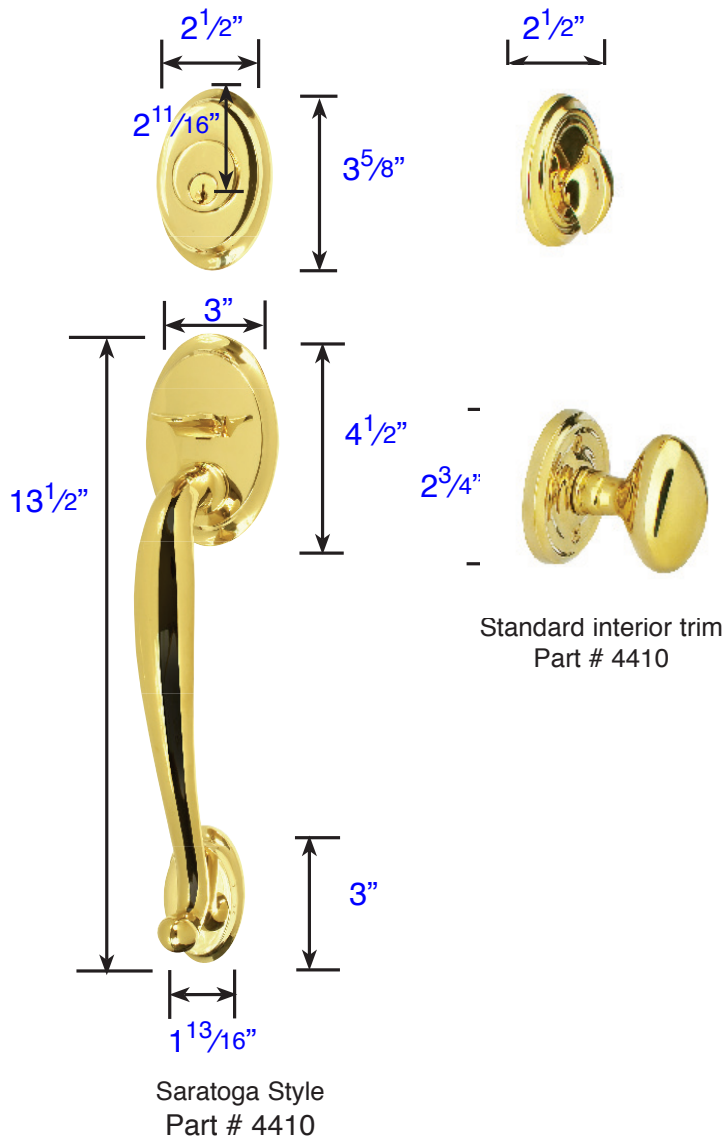
- Exterior Projection is 2 11/16"
- Interior Projection Depends on Handle Style
- Overall Grip thickness: 1 1/4"
- Clearance between door & grip is 2"
- Plates thickness: 1/2"

*Same Dimensions for
Double Cylinder & Dummy Function*

Additional Dimensions: (Part # 4314)

- Exterior Projection is 2 3/4"
- Interior Projection Depends on Handle Style
- Overall Grip thickness: 1"
- Clearance between door & grip is 1 7/16"
- Plates thickness: 1/2"

*Same Dimensions for
Double Cylinder & Dummy Function*



Additional Dimensions: (Part # 4410)

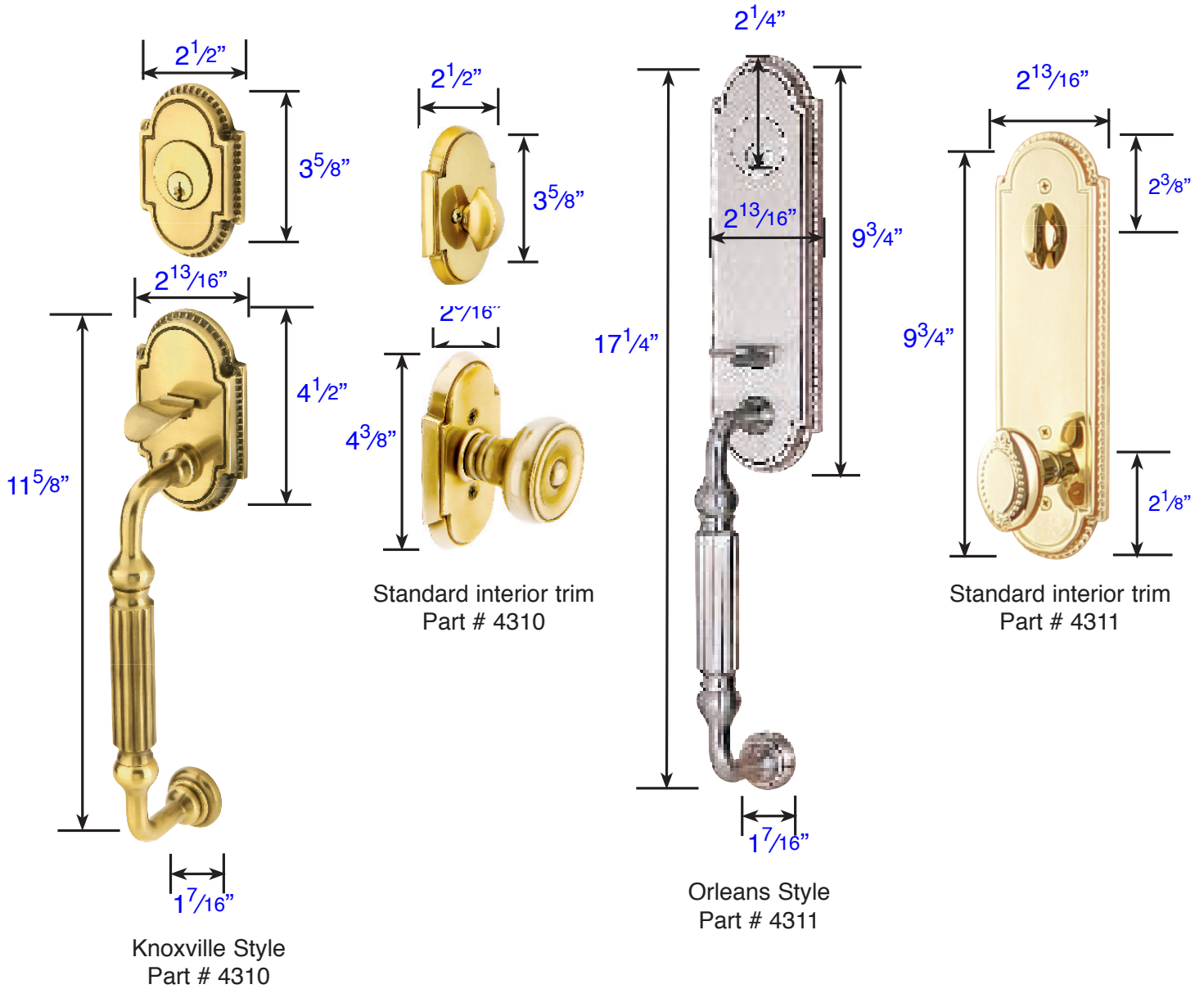
- Exterior Projection is 2¹¹/₁₆"
- Interior Projection Depends on Handle Style
- Overall Grip thickness: 1¹/₄"
- Clearance between door & grip is 1¹⁵/₁₆"
- Plates thickness: 7/₁₆"

**Same Dimensions for
Double Cylinder & Dummy Function**

Additional Dimensions: (Part # 4411)

- Exterior Projection is 2³/₄"
- Interior Projection Depends on Handle Style
- Overall Grip thickness: 1³/₄"
- Clearance between door & grip is 2"
- Plates thickness: 1/₂"

**Same Dimensions for
Double Cylinder & Dummy Function**



Additional Dimensions: (Part # 4310)

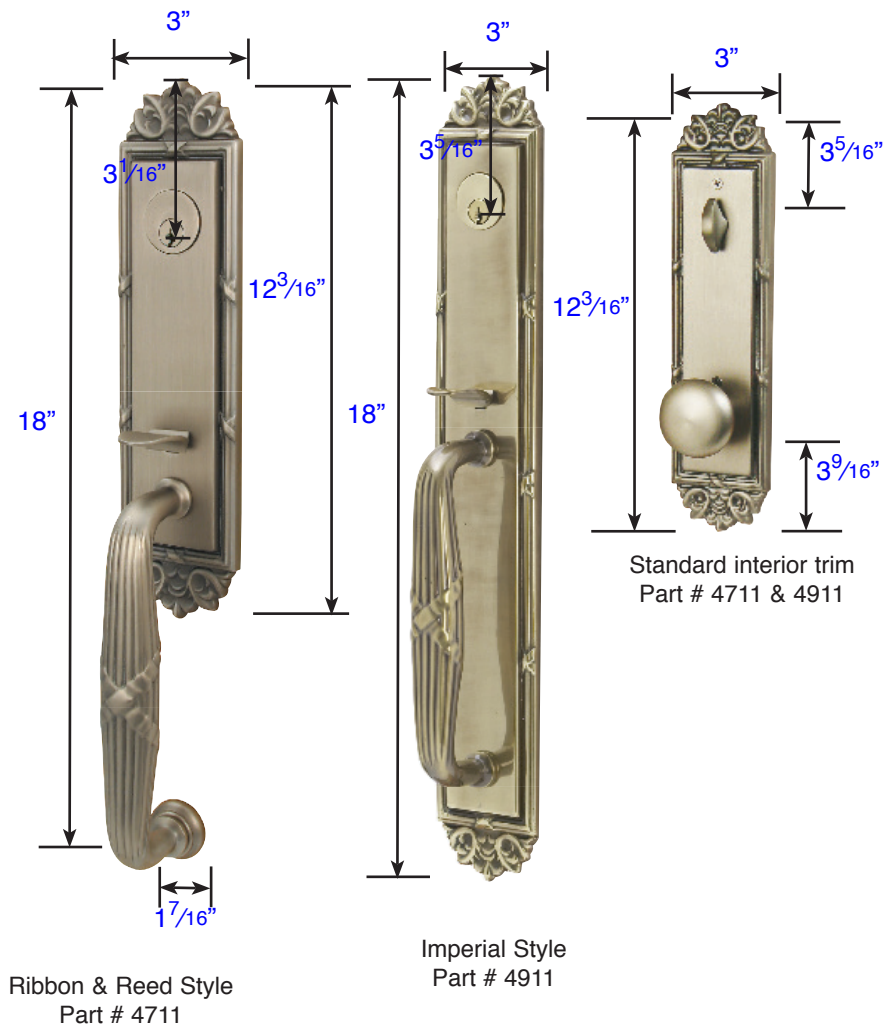
- Exterior Projection is 3"
- Interior Projection Depends on Handle Style
- Overall Grip thickness: 1"
- Clearance between door & grip is $1\frac{1}{2}''$
- Plates thickness: $\frac{1}{2}''$

*Same Dimensions for
Double Cylinder & Dummy Function*

Additional Dimensions: (Part # 4311)

- Exterior Projection is 3"
- Interior Projection Depends on Handle Style
- Overall Grip thickness: 1"
- Clearance between door & grip is $1\frac{1}{2}''$
- Plates thickness: $\frac{1}{2}''$

*Same Dimensions for
Double Cylinder & Dummy Function*



Additional Dimensions: (Part # 4711 & 4911)

- Exterior Projection is 2¹¹/₁₆"
- Interior Projection Depends on Handle Style
- Overall Grip thickness: 1⁵/₁₆"
- Clearance between door & grip is 1⁹/₁₆"
- Plates thickness: 1/2"

***Same Dimensions for
 Double Cylinder & Dummy Function***

Brass Tubular Entryset Sectional, Single Cylinder

Saratoga (4410), Knoxville (4310), Hamden (4213), Nashville (4312), Franklin (4413)

<ul style="list-style-type: none"> Standard Door Thickness: 1³/₄" - 2¹/₈" Standard Components: <ul style="list-style-type: none"> 1¹/₂" Rosette Screws Single Cylinder Tailpiece Outside Entry Spindle Inside Passage Half Spindle 2¹/₄" Deadbolt Mounting Screws Full-Lip Strike Plate Deadbolt Strike Plate 	<ul style="list-style-type: none"> Extended Door Thickness: 2¹/₄" - 2⁵/₈" Extended Components: <ul style="list-style-type: none"> 2" Rosette Screws Long Single Cylinder Tailpiece Long Outside Entry Spindle Long Inside Passage Half Spindle 3" Deadbolt Mounting Screws Spindle Extensions Extended Full-Lip Strike Plate Deadbolt Strike Plate 	<ul style="list-style-type: none"> Extended Door Thickness: 2⁵/₈" - 3" Extended Components: <ul style="list-style-type: none"> 2¹/₂" Rosette Screws Extra Long Single Cylinder Tailpiece Long Outside Entry Spindle Extra Long Inside Passage Half Spindle 3¹/₂" Deadbolt Mounting Screws Spindle Extensions Extended Full-Lip Strike Plate Deadbolt Strike Plate
---	--	---

Brass Tubular Entryset Sectional, Double Cylinder

Saratoga (4420), Knoxville (4320), Hamden (4223), Nashville (4322), Franklin (4423)

<ul style="list-style-type: none"> Standard Door Thickness: 1⁵/₈" - 2¹/₈" Standard Components: <ul style="list-style-type: none"> 1¹/₂" Rosette Screws Double Cylinder Tailpiece Outside Entry Spindle Inside Passage Half Spindle 2¹/₄" & 2¹/₂" Deadbolt Mounting Screws Full-Lip Strike Plate Deadbolt Strike Plate 	<ul style="list-style-type: none"> Extended Door Thickness: 2¹/₄" - 2⁵/₈" Extended Components: <ul style="list-style-type: none"> 2" Rosette Screws Long Double Cylinder Tailpiece Long Outside Entry Spindle Long Inside Passage Half Spindle 3" Deadbolt Mounting Screws Spindle Extensions Extended Full-Lip Strike Plate Deadbolt Strike Plate 	<ul style="list-style-type: none"> Extended Door Thickness: 2⁵/₈" - 2⁷/₈" Extended Components: <ul style="list-style-type: none"> 2¹/₂" Rosette Screws Extra Long Double Cylinder Tailpiece Long Outside Entry Spindle Extra Long Inside Passage Half Spindle 3¹/₂" Deadbolt Mounting Screws Spindle Extensions Extended Full-Lip Strike Plate Deadbolt Strike Plate
---	--	--

* Part # DB4-COLLAR32 Available for 1³/₈" Thick Doors

Brass Tubular Entryset Monolithic & Full Length, Single Cylinder

Marietta (4411), Orleans (4311), Arts & Crafts (4811), Wilshire (4211), Wilmington (4314), Melrose (4212), Ribbon & Reed (4711), Imperial (4911), Richmond (4313), Adams (4414), Jefferson (4415)

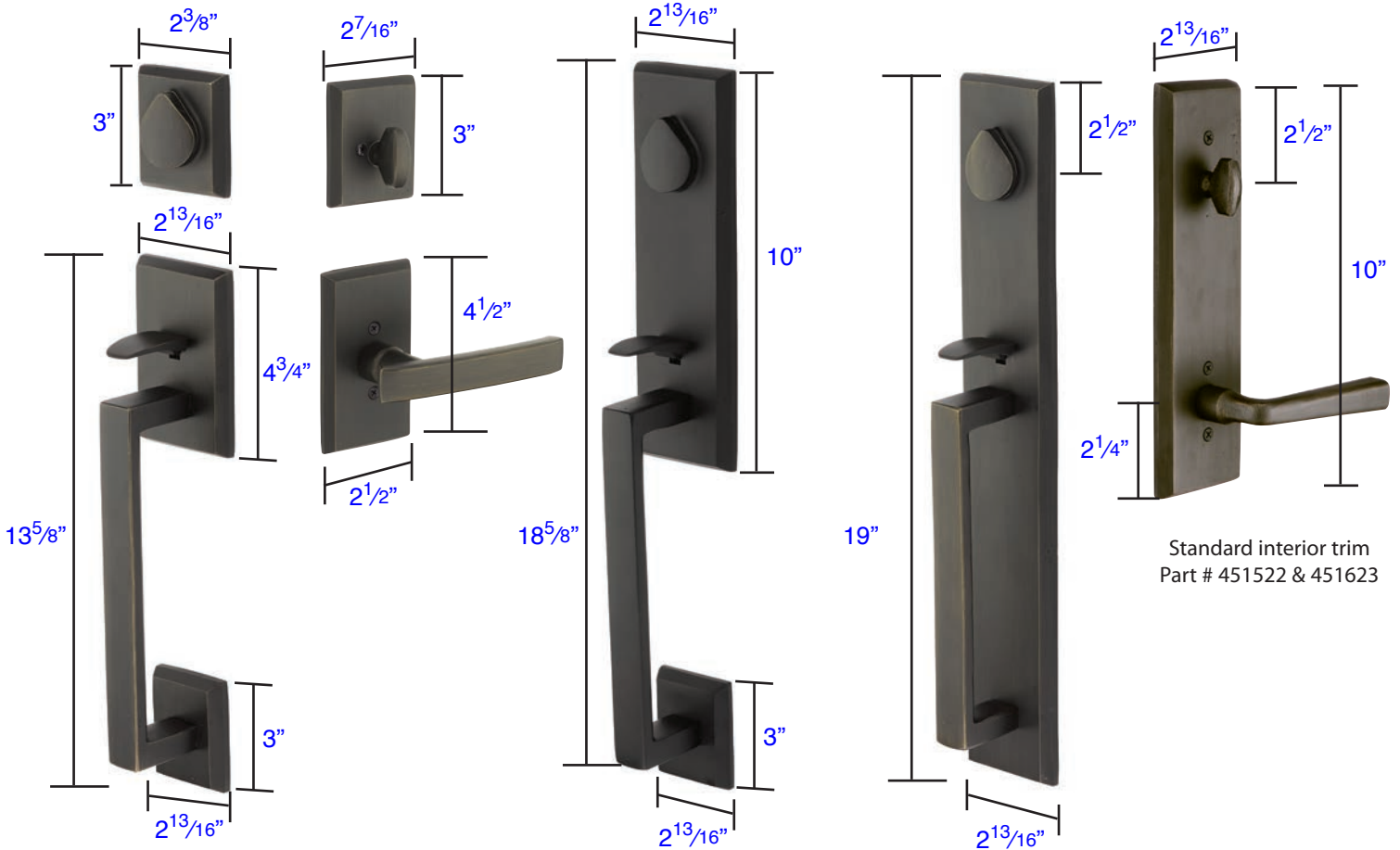
<ul style="list-style-type: none"> Standard Door Thickness: 1³/₄" - 2¹/₈" Standard Components: <ul style="list-style-type: none"> 1¹/₂" Rosette Screws Single Cylinder Tailpiece Outside Entry Spindle Inside Passage Half Spindle 2¹/₄" Deadbolt Mounting Screws Full-Lip Strike Plate Deadbolt Strike Plate 	<ul style="list-style-type: none"> Extended Door Thickness: 2¹/₄" - 2¹/₂" Extended Components: <ul style="list-style-type: none"> 2" Rosette Screws Long Single Cylinder Tailpiece Long Outside Entry Spindle Long Inside Passage Half Spindle 3" Deadbolt Mounting Screws Spindle Extensions Extended Full-Lip Strike Plate Deadbolt Strike Plate 	<ul style="list-style-type: none"> Extended Door Thickness: 2¹/₂" - 3" Extended Components: <ul style="list-style-type: none"> 2¹/₂" Rosette Screws Extra Long Single Cylinder Tailpiece Long Outside Entry Spindle Extra Long Inside Passage Half Spindle 3" Deadbolt Mounting Screws Spindle Extensions Extended Full-Lip Strike Plate Deadbolt Strike Plate
---	--	--

Brass Tubular Entryset Monolithic & Full Length, Double Cylinder

Marietta (4421), Orleans (4321), Arts & Crafts (4821), Wilshire (4221), Wilmington (4324), Melrose (4212), Ribbon & Reed (4721), Imperial (4921), Richmond (4323), Adams (4424), Jefferson (4425)

<ul style="list-style-type: none"> Standard Door Thickness: 1³/₄" - 2" Standard Components: <ul style="list-style-type: none"> 1¹/₂" Rosette Screws Double Cylinder Tailpiece Outside Entry Spindle Inside Passage Half Spindle 2¹/₄" Deadbolt Mounting Screws Full-Lip Strike Plate Deadbolt Strike Plate 	<ul style="list-style-type: none"> Extended Door Thickness: 2" - 2⁵/₈" Extended Components: <ul style="list-style-type: none"> 2" Rosette Screws Long Double Cylinder Tailpiece Long Outside Entry Spindle Long Inside Passage Half Spindle 3" Deadbolt Mounting Screws Spindle Extensions Extended Full-Lip Strike Plate Deadbolt Strike Plate 	<ul style="list-style-type: none"> Extended Door Thickness: 2⁵/₈" - 2⁷/₈" Extended Components: <ul style="list-style-type: none"> 2¹/₂" Rosette Screws Long Double Cylinder Tailpiece Long Outside Entry Spindle Extra Long Inside Passage Half Spindle 3¹/₂" Deadbolt Mounting Screws Spindle Extensions Extended Full-Lip Strike Plate Deadbolt Strike Plate
--	---	--

* Part # DB4-COLLAR32 Available for 1³/₈" Thick Doors



Standard interior trim
Part # 451522 & 451623

Rustic Modern Rectangular
Sectional
Part# 451421

Rustic Modern Rectangular
Monolithic
Part# 451522

Rustic Modern Rectangular
Full Length
Part# 451623

Additional Dimensions: (Part # 451421)

- Exterior Projection is 3"
- Interior Projection Depends on Handle Style
- Overall Grip thickness: 1¹¹/₁₆"
- Clearance between door & grip is 1⁷/₈"
- Plates thickness: 1/2"

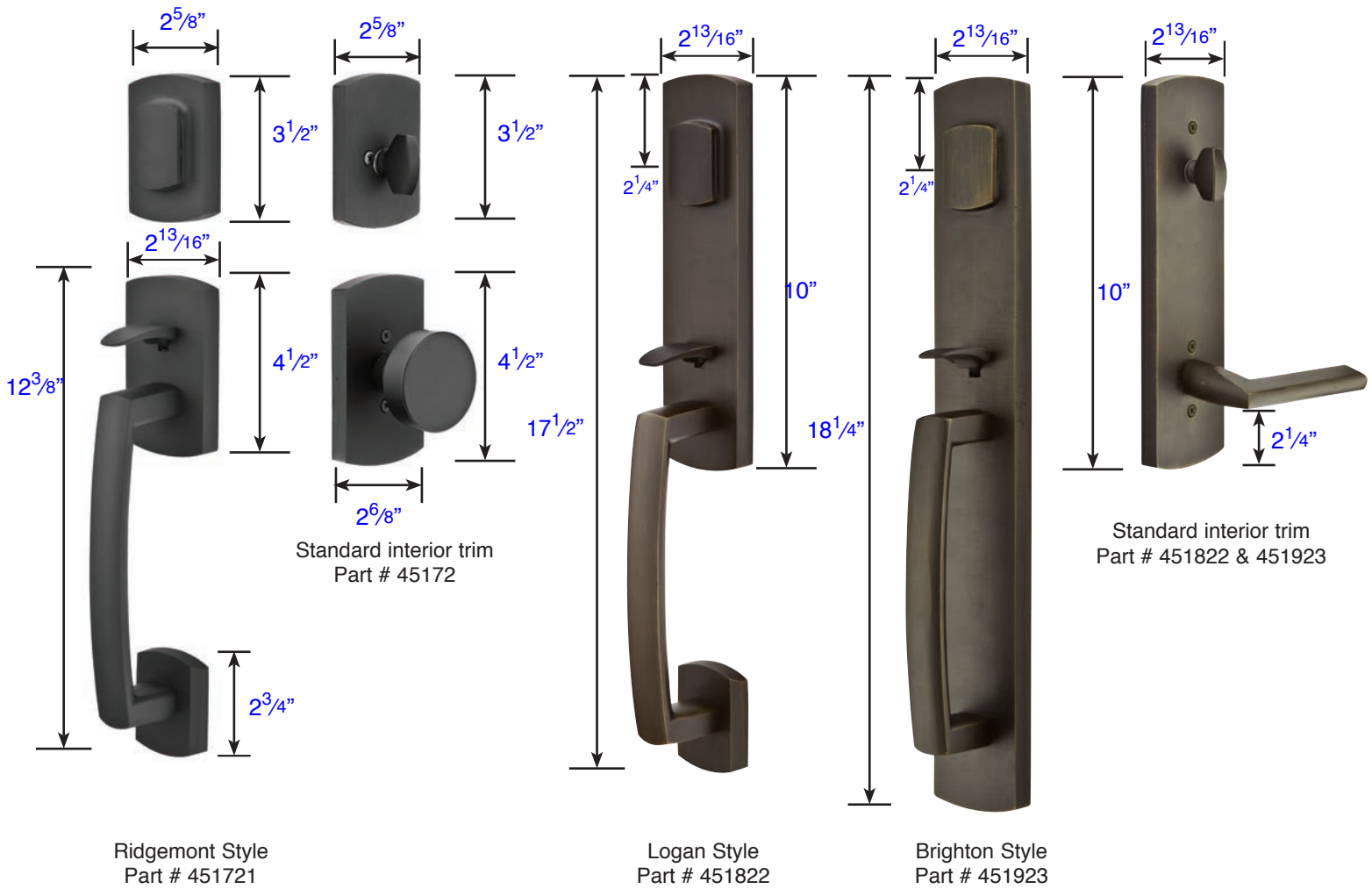
*Same Dimensions for
Double Cylinder & Dummy Function*

Additional Dimensions: (Part # 451522 & 451623)

- Exterior Projection is 3"
- Interior Projection Depends on Handle Style
- Overall Grip thickness: 1¹¹/₁₆"
- Clearance between door & grip is 1⁷/₈"
- Plates thickness: 1/2"

*Same Dimensions for
Double Cylinder & Dummy Function*

Dimensions for **Grip-By-Grip Entrance** are the same as the Exterior Trim of standard grip handlesets.



Additional Dimensions: (Part # 451721)

- Exterior Projection is 2 7/8"
- Interior Projection Depends on Handle Style
- Overall Grip thickness: 1 1/16"
- Clearance between door & grip: 2"
- Plates thickness: 1/2"

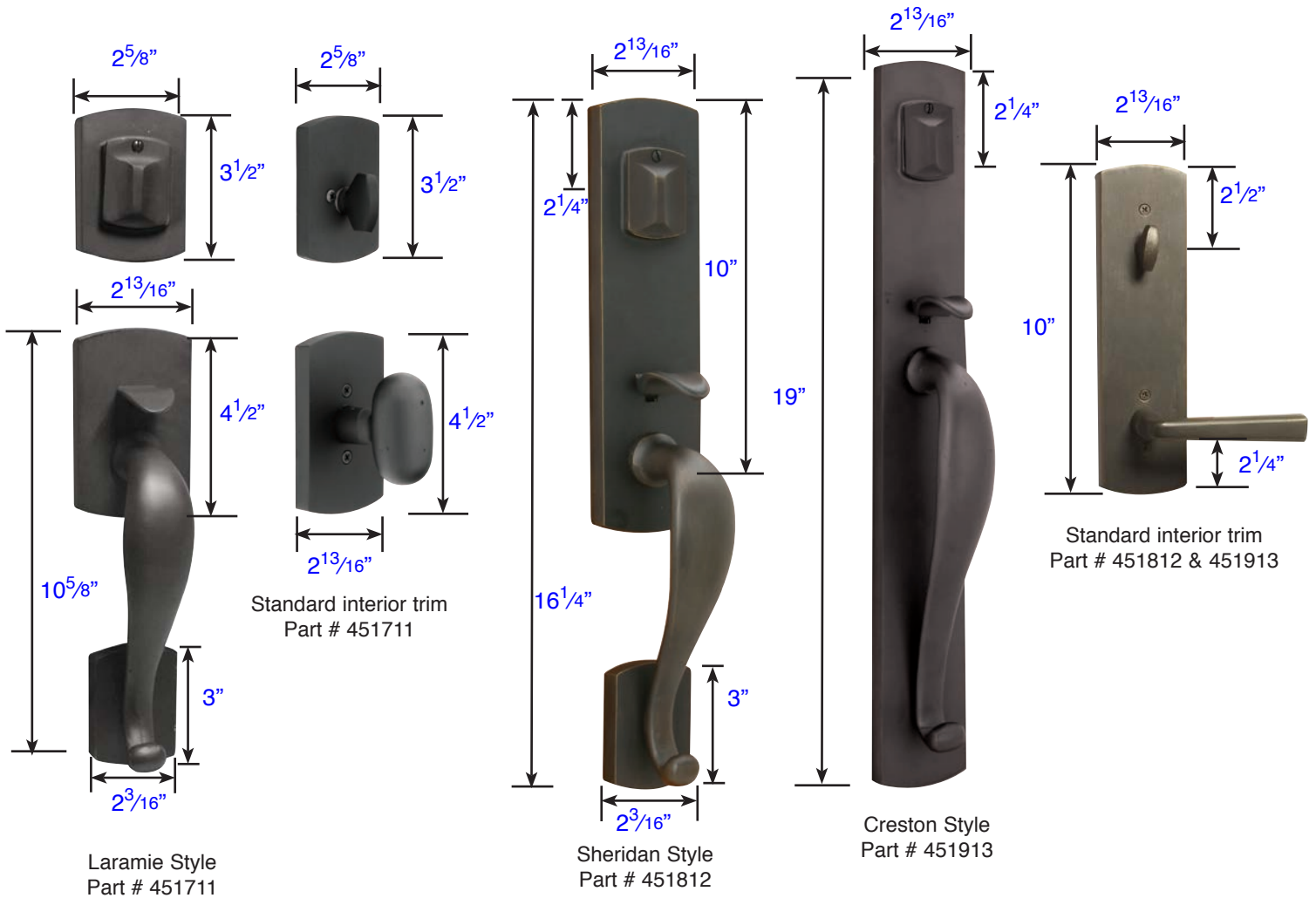
*Same Dimensions for
Double Cylinder & Dummy Function*

Additional Dimensions: (Part # 451822 & 451923)

- Exterior Projection is 2 7/8"
- Interior Projection Depends on Handle Style
- Overall Grip thickness: 1 1/16"
- Clearance between door & grip: 1 1/2"
- Plates thickness: 1/2"

*Same Dimensions for
Double Cylinder & Dummy Function*

Dimensions for *Grip-By-Grip Entrance* are the same as the Exterior Trim of standard grip handlesets.



Additional Dimensions: (Part # 451711)

- Exterior Projection is 3"
- Interior Projection Depends on Handle Style
- Overall Grip thickness: $1\frac{11}{16}$ "
- Clearance between door & grip is $1\frac{7}{8}$ "
- Plates thickness: $\frac{1}{2}$ "

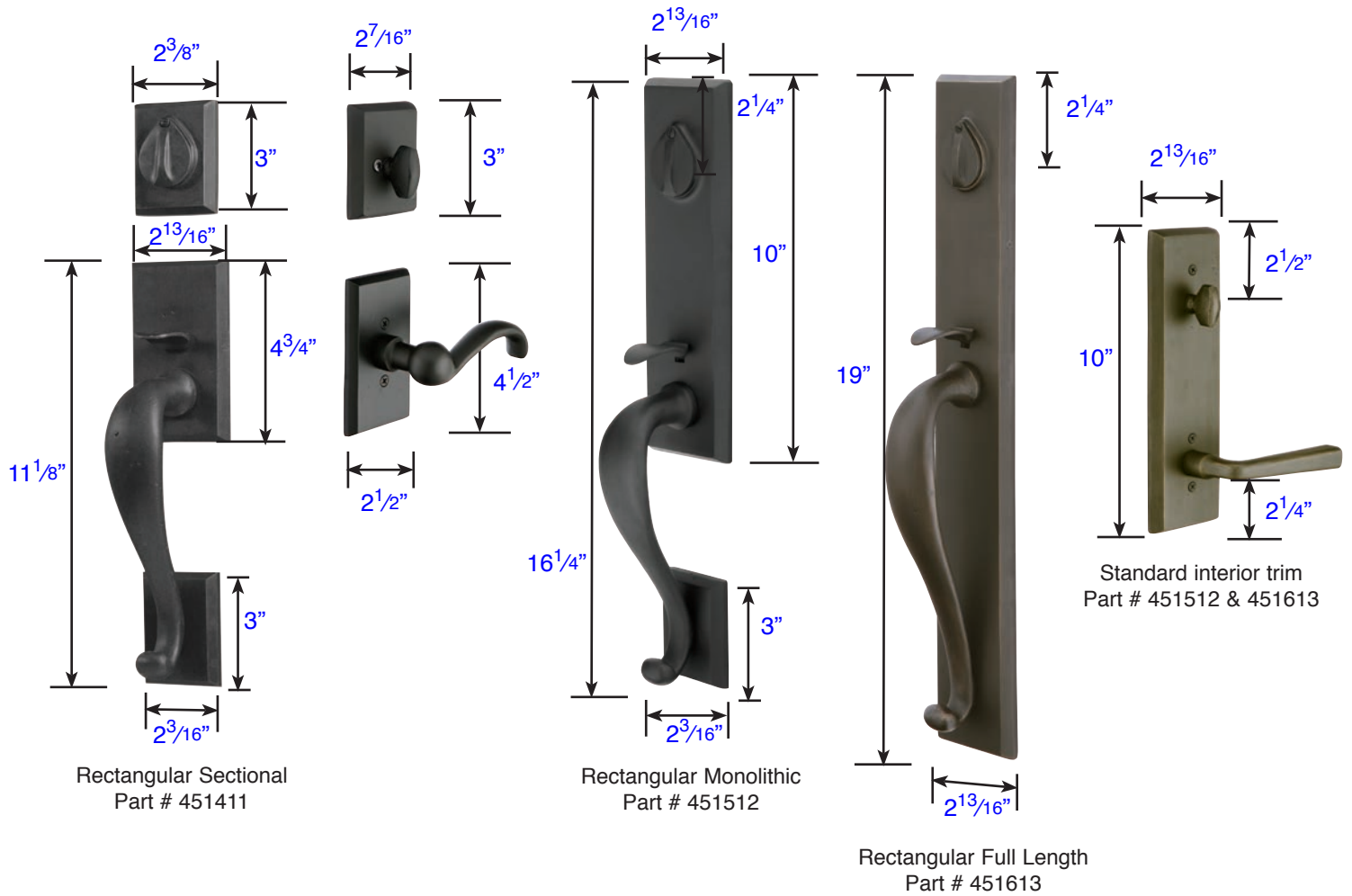
*Same Dimensions for
Double Cylinder & Dummy Function*

Additional Dimensions: (Part # 451812/451913)

- Exterior Projection is 3"
- Interior Projection Depends on Handle Style
- Overall Grip thickness: $1\frac{11}{16}$ "
- Clearance between door & grip is $1\frac{7}{8}$ "
- Plates thickness: $\frac{1}{2}$ "

*Same Dimensions for
Double Cylinder & Dummy Function*

Dimensions for **Grip-By-Grip Entrance** are the same as the Exterior Trim of standard grip handlesets.



Additional Dimensions: (Part # 451411)

- Exterior Projection is 3"
- Interior Projection Depends on Handle Style
- Overall Grip thickness: 1¹/₁₆"
- Clearance between door & grip is 1⁷/₈"
- Plates thickness: 1/2"

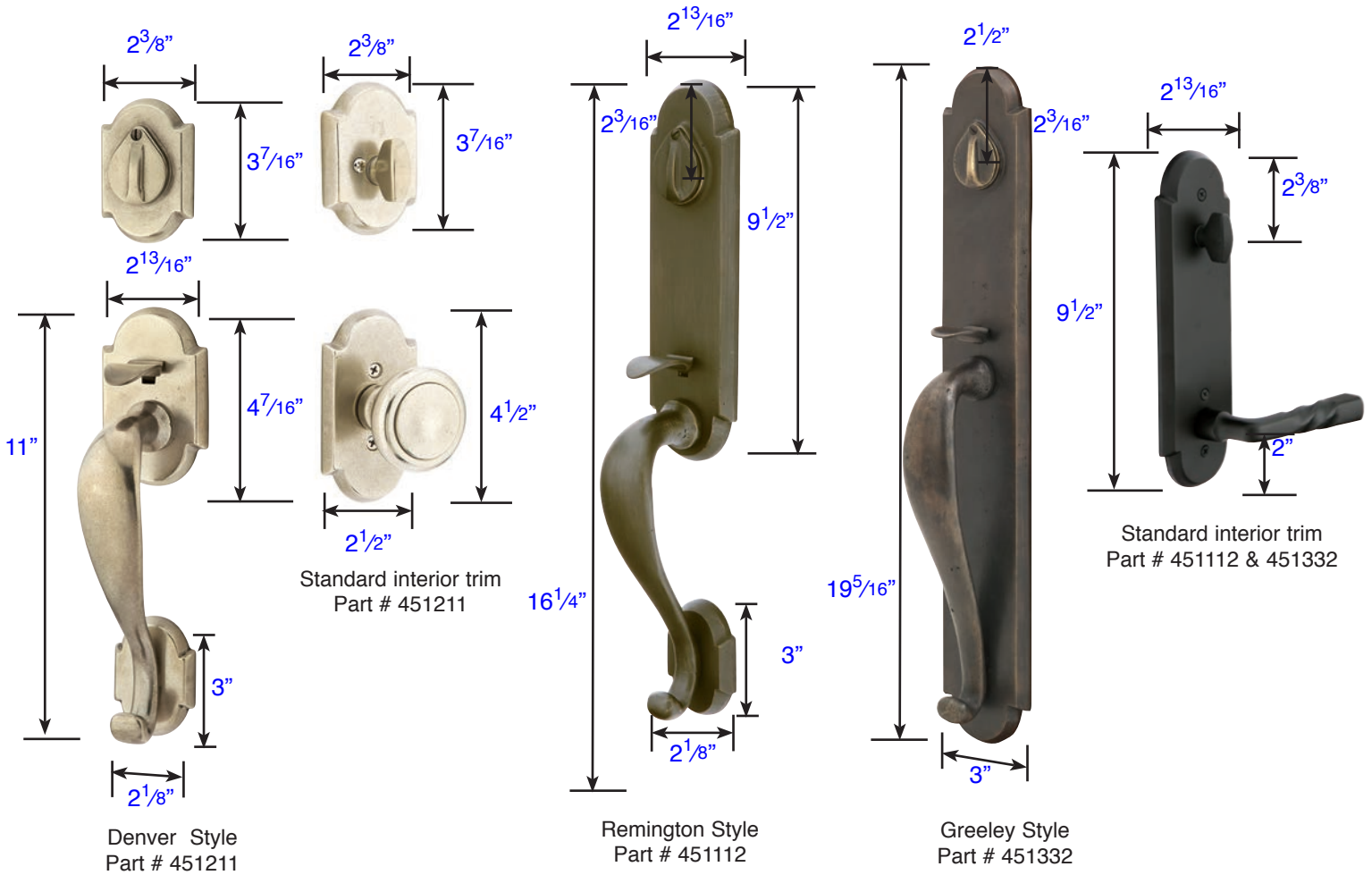
*Same Dimensions for
Double Cylinder & Dummy Function*

Additional Dimensions: (Part # 451512 & 451613)

- Exterior Projection is 3"
- Interior Projection Depends on Handle Style
- Overall Grip thickness: 1¹/₁₆"
- Clearance between door & grip is 1⁷/₈"
- Plates thickness: 1/2"

*Same Dimensions for
Double Cylinder & Dummy Function*

Dimensions for **Grip-By-Grip Entrance** are the same as the Exterior Trim of standard grip handlesets.



Additional Dimensions: (Part # 451211)

- Exterior Projection is 3"
- Interior Projection Depends on Handle Style
- Overall Grip thickness: 1¹/₁₆"
- Clearance between door & grip is 1⁷/₈"
- Plates thickness: 1/2"

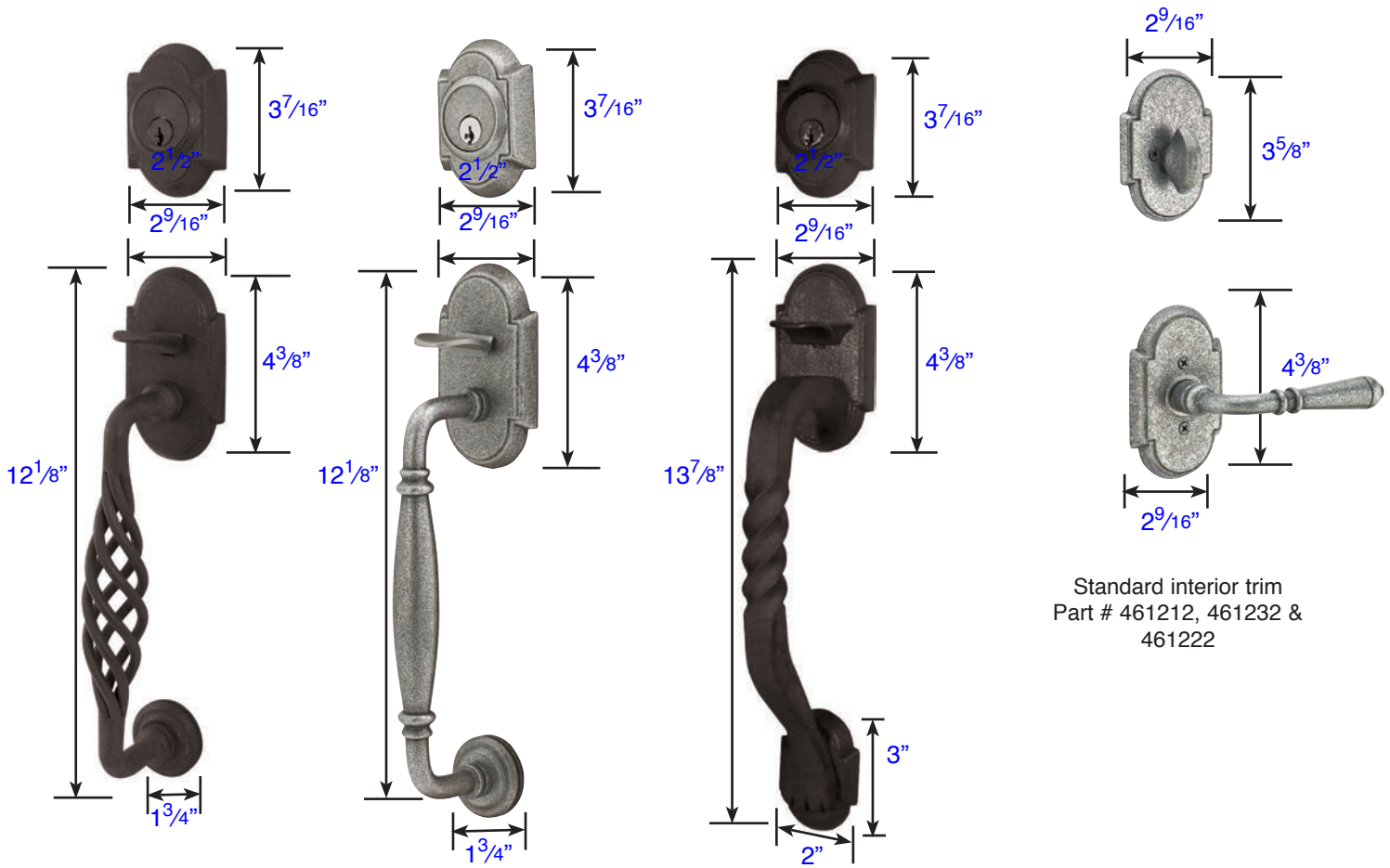
*Same Dimensions for
Double Cylinder & Dummy Function*

Additional Dimensions: (Part # 451112 & 451332)

- Exterior Projection is 3"
- Interior Projection Depends on Handle Style
- Overall Grip thickness: 1¹/₁₆"
- Clearance between door & grip is 1⁷/₈"
- Plates thickness: 1/2"

*Same Dimensions for
Double Cylinder & Dummy Function*

Dimensions for **Grip-By-Grip Entrance** are the same as the Exterior Trim of standard grip handlesets.



Sectional Style
Lafayette Grip
Part # 461212

Sectional Style
Normandy Grip
Part # 461232

Sectional Style
San Carlos Grip
Part # 461222

Standard interior trim
Part # 461212, 461232 &
461222

Additional Dimensions: (Part # 461212 & 461232)

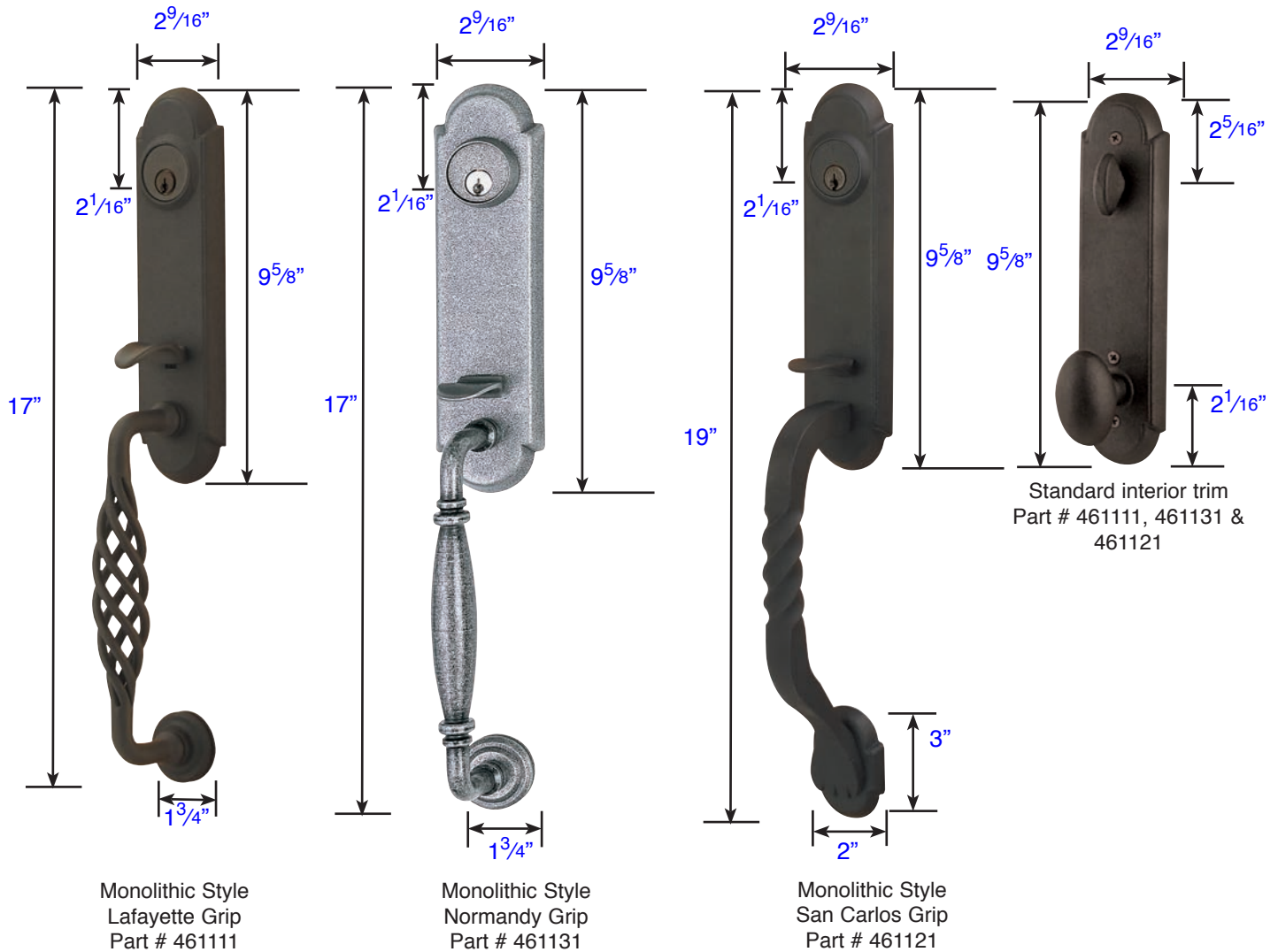
- Exterior Projection is 3"
- Interior Projection Depends on Handle Style
- Overall Grip thickness: 3/4"
- Clearance between door & grip is 1 5/8"
- Plates thickness: 1/2"

*Same Dimensions for
Double Cylinder & Dummy Function*

Additional Dimensions: (Part # 461222)

- Exterior Projection is 3 1/2"
- Interior Projection Depends on Handle Style
- Overall Grip thickness: 3/4"
- Clearance between door & grip is 2"
- Plates thickness: 1/2"

*Same Dimensions for
Double Cylinder & Dummy Function*



Additional Dimensions: (Part # 461111 & 461131)

- Exterior Projection is 3"
- Interior Projection Depends on Handle Style
- Overall Grip thickness: 3/4"
- Clearance between door & grip is 1 5/8"
- Plates thickness: 1/2"

*Same Dimensions for
Double Cylinder & Dummy Function*

Additional Dimensions: (Part # 461121)

- Exterior Projection is 3 1/2"
- Interior Projection Depends on Handle Style
- Overall Grip thickness: 3/4"
- Clearance between door & grip is 2"
- Plates thickness: 1/2"

*Same Dimensions for
Double Cylinder & Dummy Function*

Cast Bronze Tubular Entryset Sectional, Single Cylinder

Denver (451211), Laramie (451711), Rectangular Sectional (451411), Rustic Modern Rectangular (451421)

- Standard Door Thickness: 1³/₄" - 2"
- Standard Components:
- 1¹/₂" & 2" Rosette Screws
- Single Cylinder Tailpiece
- Outside Entry Spindle
- Inside Passage Half Spindle
- 2¹/₂" Deadbolt Mounting Screws
- Full-Lip Strike Plate
- Deadbolt Strike Plate

- **Extended** Door Thickness: 2" - 2¹/₂"
- Extended Components:
- 2" Rosette Screws
- Long Single Cylinder Tailpiece
- Long Outside Entry Spindle
- Long Inside Passage Half Spindle
- 3" Deadbolt Mounting Screws
- Spindle Extensions
- Extended Full-Lip Strike Plate
- Deadbolt Strike Plate

- **Extended** Door Thickness: 2¹/₂" - 2⁷/₈"
- Extended Components:
- 2¹/₂" Rosette Screws
- Extra Long Single Cylinder Tailpiece
- Long Outside Entry Spindle
- Extra Long Inside Passage Half Spindle
- 3¹/₂" Deadbolt Mounting Screws
- Spindle Extensions
- Extended Full-Lip Strike Plate
- Deadbolt Strike Plate

Cast Bronze Tubular Entryset Sectional, Double Cylinder

Denver (452211), Laramie (452711), Rectangular Sectional (452411), Rustic Modern Rectangular (451421)

- Standard Door Thickness: 1³/₄" - 2"
- Standard Components:
- 1¹/₂" Rosette Screws
- Double Cylinder Tailpiece
- Outside Entry Spindle
- Inside Passage Half Spindle
- 2¹/₂" Deadbolt Mounting Screws
- Full-Lip Strike Plate
- Deadbolt Strike Plate

- **Extended** Door Thickness: 2¹/₄" - 2⁵/₈"
- Extended Components:
- 2" & 2¹/₂" Rosette Screws
- Long Double Cylinder Tailpiece
- Long Outside Entry Spindle
- Long Inside Passage Half Spindle
- 3" & 3¹/₂" Deadbolt Mounting Screws
- Spindle Extensions
- Extended Full-Lip Strike Plate
- Deadbolt Strike Plate

Cast Bronze Tubular Entryset Monolithic & Full Length, Single Cylinder

Remington (451112), Greeley (451332), Logan (453828), Brighton (453929), Rectangular Monolithic (451512) or Full Length (451613), Sheridan (451812), Creston (451913), Rustic Modern Rectangular Monolithic (451522) or Full Length (451623)

- Standard Door Thickness: 1³/₄" - 2"
- Standard Components:
- 1¹/₂" & 2" Rosette Screws
- Single Cylinder Tailpiece
- Outside Entry Spindle
- Long Inside Passage Half Spindle
- 2¹/₂" Deadbolt Mounting Screws
- Full-Lip Strike Plate
- Deadbolt Strike Plate

- **Extended** Door Thickness: 2" - 2¹/₂"
- Extended Components:
- 2" Rosette Screws
- Long Single Cylinder Tailpiece
- Long Outside Entry Spindle
- Long Inside Passage Half Spindle
- 3" Deadbolt Mounting Screws
- Spindle Extensions
- Extended Full-Lip Strike Plate
- Deadbolt Strike Plate

- **Extended** Door Thickness: 2¹/₂" - 2⁷/₈"
- Extended Components:
- 2¹/₂" Rosette Screws
- Extra Long Single Cylinder Tailpiece
- Long Outside Entry Spindle
- Extra Long Inside Passage Half Spindle
- 3¹/₂" Deadbolt Mounting Screws
- Spindle Extensions
- Extended Full-Lip Strike Plate
- Deadbolt Strike Plate

Cast Bronze Tubular Entryset Monolithic & Full Length, Double Cylinder

Remington (451112), Greeley (451332), Logan (453828), Brighton (453929), Rectangular Monolithic (451512) or Full Length (451613), Sheridan (451812), Creston (451913), Rustic Modern Rectangular Monolithic (451522) or Full Length (451623)

- Standard Door Thickness: 1³/₄" - 2"
- Standard Components:
- 1¹/₂" Rosette Screws
- Double Cylinder Tailpiece
- Outside Entry Spindle
- Long Inside Passage Half Spindle
- 2¹/₂" Deadbolt Mounting Screws
- Full-Lip Strike Plate
- Deadbolt Strike Plate

- **Extended** Door Thickness: 2" - 2⁵/₈"
- Extended Components:
- 2" & 2¹/₂" Rosette Screws
- Long Double Cylinder Tailpiece
- Long Outside Entry Spindle
- Long Inside Passage Half Spindle
- 3" & 3¹/₂" Deadbolt Mounting Screws
- Spindle Extensions
- Extended Full-Lip Strike Plate
- Deadbolt Strike Plate

Grip-By-Grip Tubular Entryset Sectional, Monolithic & Full Length, Single Cylinder

Ridgemont (453727), Logan (453828), Brighton (453929), Denver (453212), Remington (453111), Greeley (453333), Rectangular Sectional (453414) or Monolithic (453515) or Full Length (453636), Rustic Modern Rectangular Sectional (453424) or Monolithic (453525) or Full Length (453646).

- Standard Door Thickness: 1³/₄"- 2"
- Standard Components:
- 1¹/₂" & 2" Rosette Screws
- Single Cylinder Tailpiece
- Outside Entry Spindle
- Inside Passage Half Spindle
- 2¹/₂" Deadbolt Mounting Screws
- Full-Lip Strike Plate
- Deadbolt Strike Plate

- **Extended** Door Thickness: 2"- 2¹/₂"
- Extended Components:
- 2" & 2¹/₂" Rosette Screws
- Long Single Cylinder Tailpiece
- Long Outside Entry Spindle
- 3" Deadbolt Mounting Screws
- Extended Full-Lip Strike Plate
- Deadbolt Strike Plate

- **Extended** Door Thickness: 2¹/₂"- 3"
- Extended Components:
- 2¹/₂" & 3" Rosette Screws
- Extra Long Single Cylinder Tailpiece
- Long Outside Entry Spindle
- 3¹/₂" Deadbolt Mounting Screws
- Extended Full-Lip Strike Plate
- Deadbolt Strike Plate

Grip-By-Grip Tubular Entryset Sectional, Monolithic & Full Length, Double Cylinder

Ridgemont (454727), Logan (454828), Brighton (454929), Denver (454212), Remington (454111), Greeley (454333), Rectangular Sectional (454414) or Monolithic (454515) or Full Length (454636), Rustic Modern Rectangular Sectional (454424) or Monolithic (454525) or Full Length (454646)

- Standard Door Thickness: 1³/₄"- 2¹/₈"
- Standard Components:
- 1¹/₂" Rosette Screws
- Double Cylinder Tailpiece
- Outside Entry Spindle
- 2¹/₂" & 3" Deadbolt Mounting Screws
- Full-Lip Strike Plate
- Deadbolt Strike Plate

- **Extended** Door Thickness: 2¹/₈"- 3"
- Extended Components:
- 2¹/₂" & 3" Rosette Screws
- Long Double Cylinder Tailpiece
- Long Outside Entry Spindle
- 3" & 3¹/₂" Deadbolt Mounting Screws
- Extended Full-Lip Strike Plate
- Deadbolt Strike Plate

Wrought Steel Tubular Entryset Sectional, Single Cylinder

Lafayette (461212), San Carlos (461222), Normandy (461232)

- Standard Door Thickness: 1⁵/₈"- 2"
- Standard Components:
 - 1¹/₂" Rosette Screws
 - Single Cylinder Tailpiece
 - Outside Entry Spindle
 - Inside Passage Half Spindle
 - 2¹/₄" Deadbolt Mounting Screws
 - Full-Lip Strike Plate
 - Deadbolt Strike Plate

- **Extended** Door Thickness: 2"- 2¹/₂"
- Extended Components:
 - 2" Rosette Screws
 - Long Single Cylinder Tailpiece
 - Long Outside Entry Spindle
 - Long Inside Passage Half Spindle
 - 3" Deadbolt Mounting Screws
 - Spindle Extensions
 - Extended Full-Lip Strike Plate
 - Deadbolt Strike Plate

- **Extended** Door Thickness: 2¹/₂"- 2⁷/₈"
- Extended Components:
 - 2¹/₂" Rosette Screws
 - Extra Long Single Cylinder Tailpiece
 - Long Outside Entry Spindle
 - Extra Long Inside Passage Half Spindle
 - 3¹/₂" Deadbolt Mounting Screws
 - Spindle Extensions
 - Extended Full-Lip Strike Plate
 - Deadbolt Strike Plate

Wrought Steel Tubular Entryset Sectional, Double Cylinder

Lafayette (462212), San Carlos (462222), Normandy (462232)

- Standard Door Thickness: 1¹/₂"- 2"
- Standard Components:
 - 1¹/₂" Rosette Screws
 - Double Cylinder Tailpiece
 - Outside Entry Spindle
 - Inside Passage Half Spindle
 - 2¹/₄" Deadbolt Mounting Screws
 - Full-Lip Strike Plate
 - Deadbolt Strike Plate

- **Extended** Door Thickness: 2"- 2⁵/₈"
- Extended Components:
 - 2" Rosette Screws
 - Long Double Cylinder Tailpiece
 - Long Outside Entry Spindle
 - Long Inside Passage Half Spindle
 - 3" Deadbolt Mounting Screws
 - Spindle Extensions
 - Extended Full-Lip Strike Plate
 - Deadbolt Strike Plate

- **Extended** Door Thickness: 2⁵/₈"- 2⁷/₈"
- Extended Components:
 - 2¹/₂" Rosette Screws
 - Extra Long Double Cylinder Tailpiece
 - Long Outside Entry Spindle
 - Extra Long Inside Passage Half Spindle
 - 3¹/₂" Deadbolt Mounting Screws
 - Spindle Extensions
 - Extended Full-Lip Strike Plate
 - Deadbolt Strike Plate

Wrought Steel Tubular Entryset Monolithic, Single Cylinder

Lafayette (461111), San Carlos (461121), Normandy (461131)

- Standard Door Thickness: 1³/₄"- 2¹/₈"
- Standard Components:
 - 1¹/₂" Rosette Screws
 - Single Cylinder Tailpiece
 - Outside Entry Spindle
 - Inside Passage Half Spindle
 - 2¹/₄" Deadbolt Mounting Screws
 - Full-Lip Strike Plate
 - Deadbolt Strike Plate

- **Extended** Door Thickness: 2¹/₄"- 2¹/₂"
- Extended Components:
 - 2" Rosette Screws
 - Long Single Cylinder Tailpiece
 - Long Outside Entry Spindle
 - Long Inside Passage Half Spindle
 - 2¹/₂" Deadbolt Mounting Screws
 - Spindle Extensions
 - Extended Full-Lip Strike Plate
 - Deadbolt Strike Plate

- **Extended** Door Thickness: 2¹/₂"- 3"
- Extended Components:
 - 2¹/₂" Rosette Screws
 - Extra Long Single Cylinder Tailpiece
 - Long Outside Entry Spindle
 - Extra Long Inside Passage Half Spindle
 - 3" Deadbolt Mounting Screws
 - Spindle Extensions
 - Extended Full-Lip Strike Plate
 - Deadbolt Strike Plate

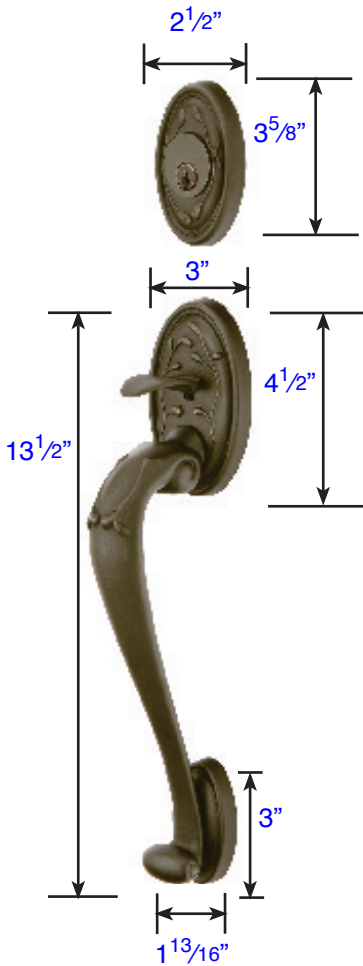
Wrought Steel Tubular Entryset Monolithic, Double Cylinder

Lafayette (462111), San Carlos (462121), Normandy (462131)

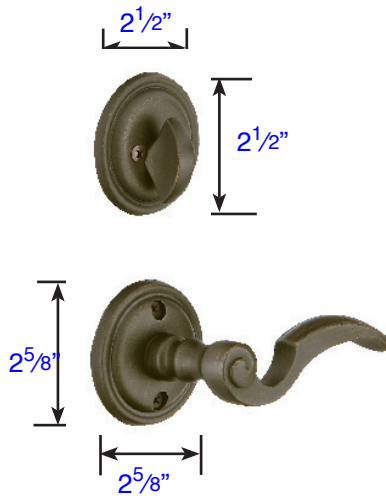
- Standard Door Thickness: 1³/₄"- 2"
- Standard Components:
 - 1¹/₂" Rosette Screws
 - Double Cylinder Tailpiece
 - Outside Entry Spindle
 - Inside Passage Half Spindle
 - 2¹/₄" Deadbolt Mounting Screws
 - Full-Lip Strike Plate
 - Deadbolt Strike Plate

- **Extended** Door Thickness: 2"- 2⁵/₈"
- Extended Components:
 - 2" Rosette Screws
 - Long Double Cylinder Tailpiece
 - Long Outside Entry Spindle
 - Long Inside Passage Half Spindle
 - 3" Deadbolt Mounting Screws
 - Spindle Extensions
 - Extended Full-Lip Strike Plate
 - Deadbolt Strike Plate

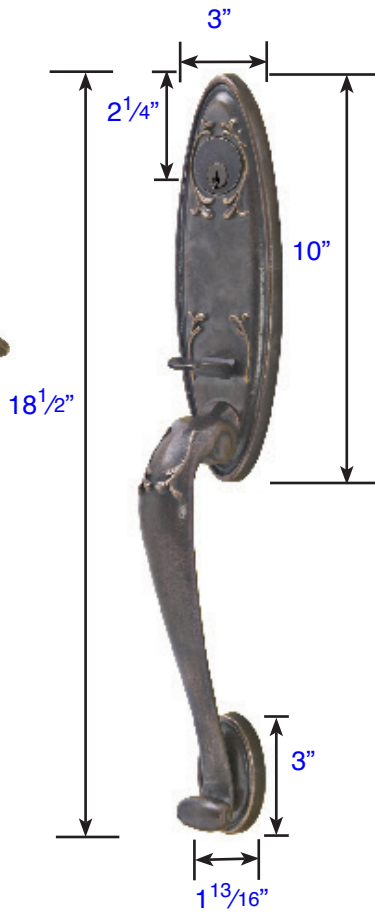
TS-TE REV18 08/31/2018



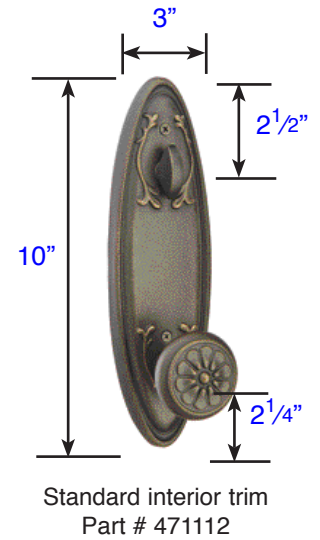
Tuscany Sectional Style
Part # 471224



Standard interior trim
Part # 471224



Tuscany Monolithic
Part # 471112



Standard interior trim
Part # 471112

Additional Dimensions: (Part # 471224)

- Exterior Projection is 3³/₃₂"
- Interior Projection Depends on Handle Style
- Overall Grip thickness: 1⁹/₁₆"
- Clearance between door & grip is 2³/₈"
- Plates thickness: 1/2"

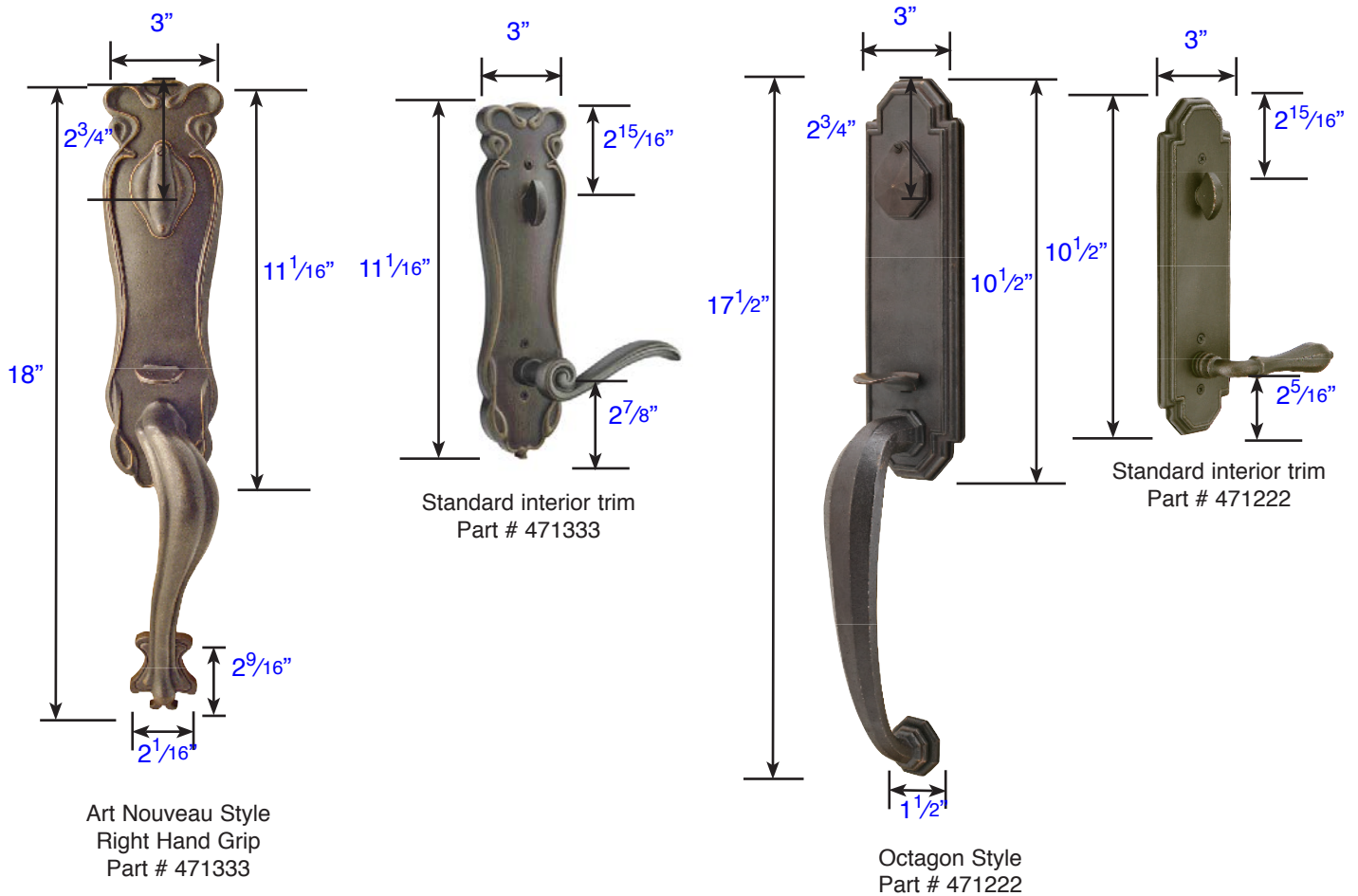
*Same Dimensions for
Double Cylinder & Dummy Function*

Additional Dimensions: (Part # 471112)

- Exterior Projection is 3³/₃₂"
- Interior Projection Depends on Handle Style
- Overall Grip thickness: 1"
- Clearance between door & grip is 2³/₈"
- Plates thickness: 1/2"

*Same Dimensions for
Double Cylinder & Dummy Function*

Dimensions for **Grip-By-Grip Entrance** are the same as the Exterior Trim of standard grip handlesets.



Additional Dimensions: (Part # 471333 & 471222)

- Exterior Projection is 3¹/₈"
- Interior Projection Depends on Handle Style
- Overall Grip thickness: 1³/₄"
- Clearance between door & grip is 1³/₄"
- Plates thickness: 1/2"

**Same Dimensions for
Double Cylinder & Dummy Function**

Dimensions for **Grip-By-Grip Entrance** are the same as the Exterior Trim of standard grip handlesets.

Lost Wax Cast Bronze Tubular Entryset Sectional, Single Cylinder

Tuscany Sectional (471224)

- Standard Door Thickness: 1³/₄" - 2"
- Standard Components:
- 1¹/₂" & 2" Rosette Screws
- Single Cylinder Tailpiece
- Outside Entry Spindle
- Inside Passage Half Spindle
- 2¹/₂" Deadbolt Mounting Screws
- Full-Lip Strike Plate
- Deadbolt Strike Plate

- **Extended** Door Thickness: 2" - 2¹/₂"
- Extended Components:
- 2" Rosette Screws
- Long Single Cylinder Tailpiece
- Long Outside Entry Spindle
- Long Inside Passage Half Spindle
- 3" Deadbolt Mounting Screws
- Spindle Extensions
- Extended Full-Lip Strike Plate
- Deadbolt Strike Plate

- **Extended** Door Thickness: 2¹/₂" - 2⁷/₈"
- Extended Components:
- 2¹/₂" Rosette Screws
- Extra Long Single Cylinder Tailpiece
- Long Outside Entry Spindle
- Extra Long Inside Passage Half Spindle
- 3¹/₂" Deadbolt Mounting Screws
- Spindle Extensions
- Extended Full-Lip Strike Plate
- Deadbolt Strike Plate

Lost Wax Cast Bronze Tubular Entryset Sectional, Double Cylinder

Tuscany Sectional (472224)

- Standard Door Thickness: 1³/₄" - 2"
- Standard Components:
- 1¹/₂" Rosette Screws
- Double Cylinder Tailpiece
- Outside Entry Spindle
- Inside Passage Half Spindle
- 2¹/₂" Deadbolt Mounting Screws
- Full-Lip Strike Plate
- Deadbolt Strike Plate

- **Extended** Door Thickness: 2¹/₄" - 2⁵/₈"
- Extended Components:
- 2" & 2¹/₂" Rosette Screws
- Long Double Cylinder Tailpiece
- Long Outside Entry Spindle
- Long Inside Passage Half Spindle
- 3" & 3¹/₂" Deadbolt Mounting Screws
- Spindle Extensions
- Extended Full-Lip Strike Plate
- Deadbolt Strike Plate

Lost Wax Cast Bronze Tubular Entryset Monolithic & Full Length, Single Cylinder

Tuscany (471112), Art Nouveau (471333), Octagon (471222)

- Standard Door Thickness: 1³/₄" - 2"
- Standard Components:
- 1¹/₂" & 2" Rosette Screws
- Single Cylinder Tailpiece
- Outside Entry Spindle
- Long Inside Passage Half Spindle
- 2¹/₂" Deadbolt Mounting Screws
- Full-Lip Strike Plate
- Deadbolt Strike Plate

- **Extended** Door Thickness: 2" - 2¹/₂"
- Extended Components:
- 2" Rosette Screws
- Long Single Cylinder Tailpiece
- Long Outside Entry Spindle
- Long Inside Passage Half Spindle
- 3" Deadbolt Mounting Screws
- Spindle Extensions
- Extended Full-Lip Strike Plate
- Deadbolt Strike Plate

- **Extended** Door Thickness: 2¹/₂" - 2⁷/₈"
- Extended Components:
- 2¹/₂" Rosette Screws
- Extra Long Single Cylinder Tailpiece
- Long Outside Entry Spindle
- Extra Long Inside Passage Half Spindle
- 3¹/₂" Deadbolt Mounting Screws
- Spindle Extensions
- Extended Full-Lip Strike Plate
- Deadbolt Strike Plate

Lost Wax Cast Bronze Tubular Entryset Monolithic & Full Length, Double Cylinder

Tuscany (472112), Art Nouveau (472333), Octagon (472222)

- Standard Door Thickness: 1³/₄" - 2"
- Standard Components:
- 1¹/₂" Rosette Screws
- Double Cylinder Tailpiece
- Outside Entry Spindle
- Long Inside Passage Half Spindle
- 2¹/₂" Deadbolt Mounting Screws
- Full-Lip Strike Plate
- Deadbolt Strike Plate

- **Extended** Door Thickness: 2" - 2⁵/₈"
- Extended Components:
- 2" & 2¹/₂" Rosette Screws
- Long Double Cylinder Tailpiece
- Long Outside Entry Spindle
- Long Inside Passage Half Spindle
- 3" & 3¹/₂" Deadbolt Mounting Screws
- Spindle Extensions
- Extended Full-Lip Strike Plate
- Deadbolt Strike Plate

Grip-By-Grip Tubular Entryset, Single Cylinder

Tuscany Sectional(473444), Tuscany(473111), Octagon(473222), Art Nouveau-LH(473333LH), Art Nouveau-RH(473333RH)

- Standard Door Thickness: 1⁵/₈"- 2"
- Standard Components:
 - 1¹/₂" & 2" Rosette Screws
 - Single Cylinder Tailpiece
 - Outside Entry Spindle
 - Inside Passage Half Spindle
 - 2¹/₂" Deadbolt Mounting Screws
 - Full-Lip Strike Plate
 - Deadbolt Strike Plate

- **Extended** Door Thickness: 2"- 2¹/₂"
- Extended Components:
 - 2" & 2¹/₂" Rosette Screws
 - Long Single Cylinder Tailpiece
 - Long Outside Entry Spindle
 - 3" Deadbolt Mounting Screws
 - Extended Full-Lip Strike Plate
 - Deadbolt Strike Plate

- **Extended** Door Thickness: 2¹/₂"- 3"
- Extended Components:
 - 2¹/₂" & 3" Rosette Screws
 - Extra Long Single Cylinder Tailpiece
 - Long Outside Entry Spindle
 - 3¹/₂" Deadbolt Mounting Screws
 - Extended Full-Lip Strike Plate
 - Deadbolt Strike Plate

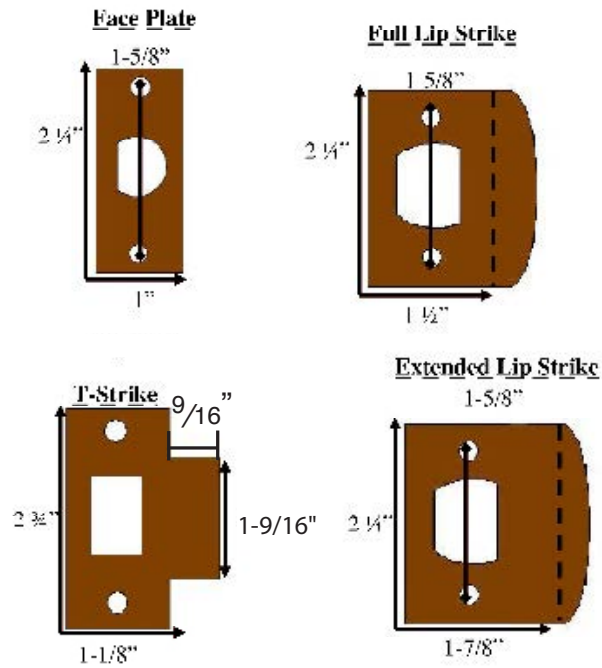
Grip-By-Grip Tubular Entryset, Double Cylinder

Tuscany Sectional(474444), Tuscany(474111), Octagon(474222), Art Nouveau-LH(474333LH), Art Nouveau-RH(474333RH)

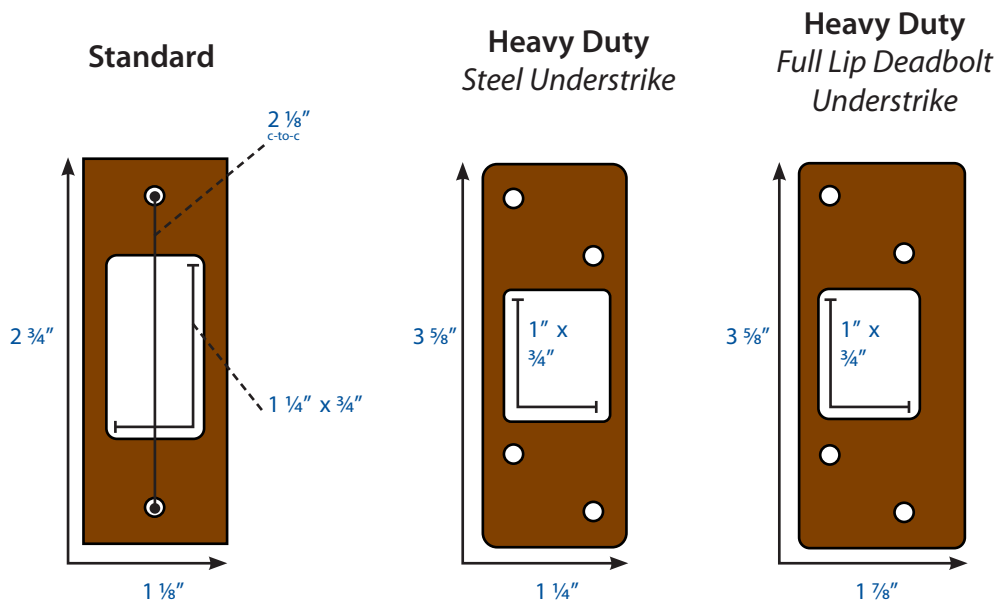
- Standard Door Thickness: 1⁵/₈"- 2¹/₈"
- Standard Components:
 - 1¹/₂" Rosette Screws
 - Double Cylinder Tailpiece
 - Outside Entry Spindle
 - 2¹/₂" & 3" Deadbolt Mounting Screws
 - Full-Lip Strike Plate
 - Deadbolt Strike Plate

- **Extended** Door Thickness: 2¹/₈"- 2¹/₂"
- Extended Components:
 - 2¹/₂" & 3" Rosette Screws
 - Long Double Cylinder Tailpiece
 - Long Outside Entry Spindle
 - 3" & 3¹/₂" Deadbolt Mounting Screws
 - Extended Full-Lip Strike Plate
 - Deadbolt Strike Plate

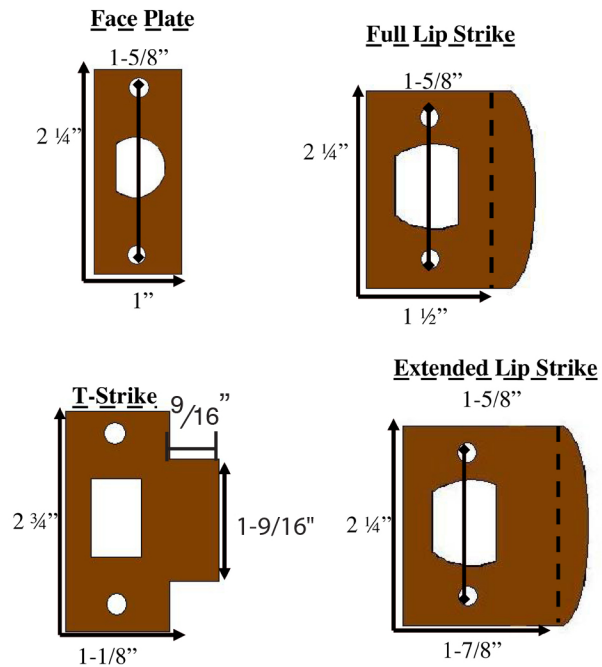
Face and Strike Plates



Deadbolt Strike Plates



Face and Strike Plates



Deadbolt Strike Plates

