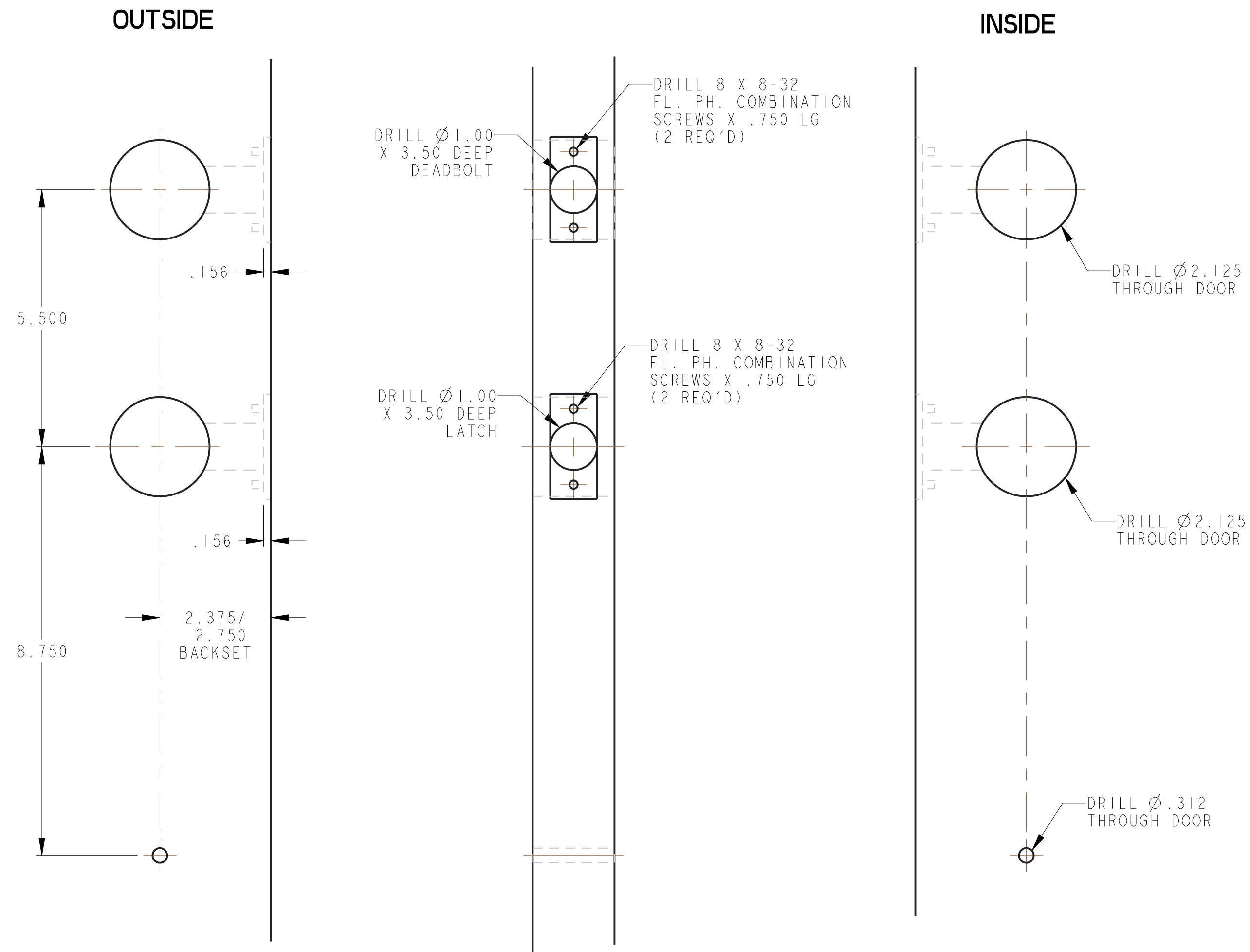
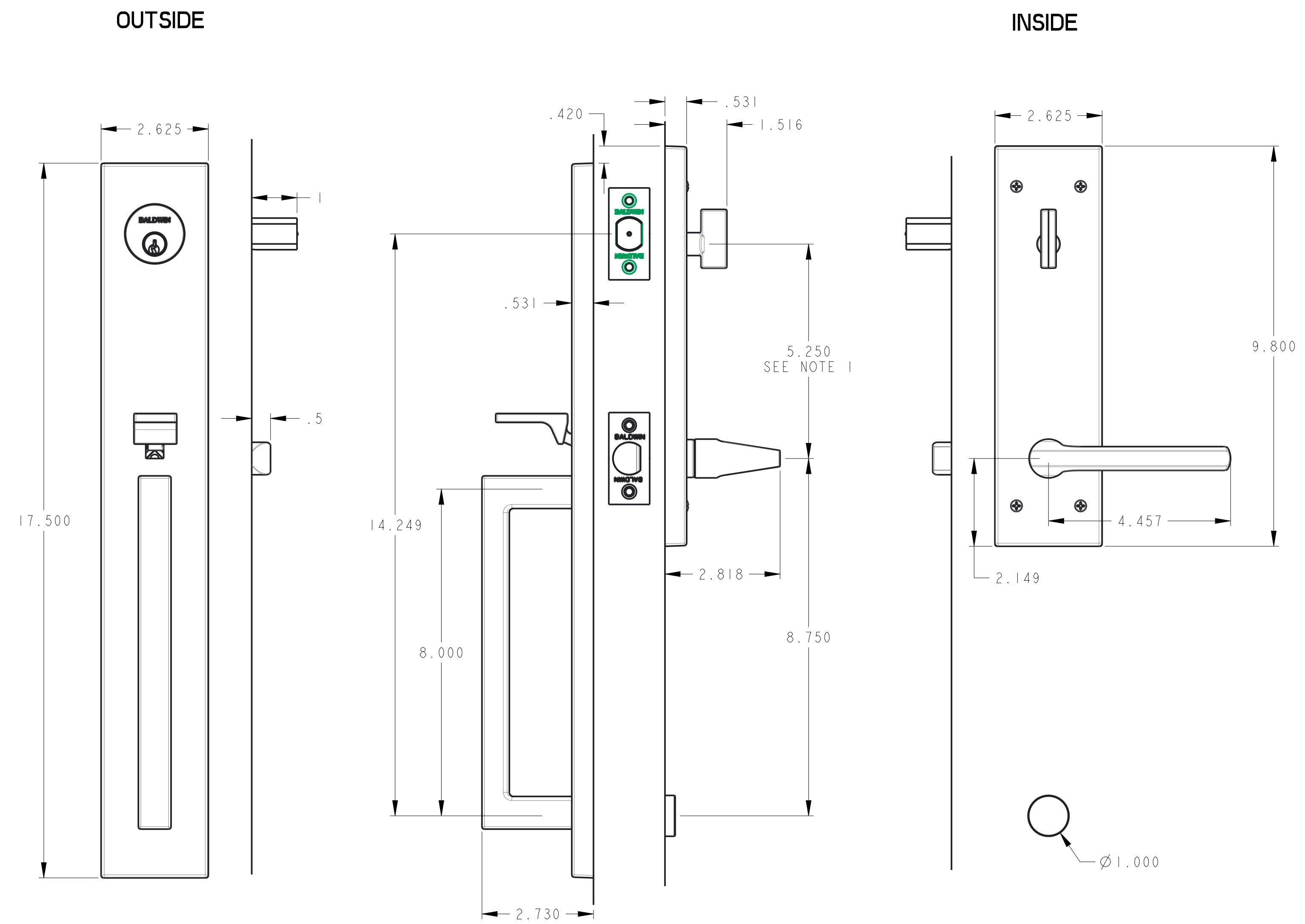


DOOR DETAIL

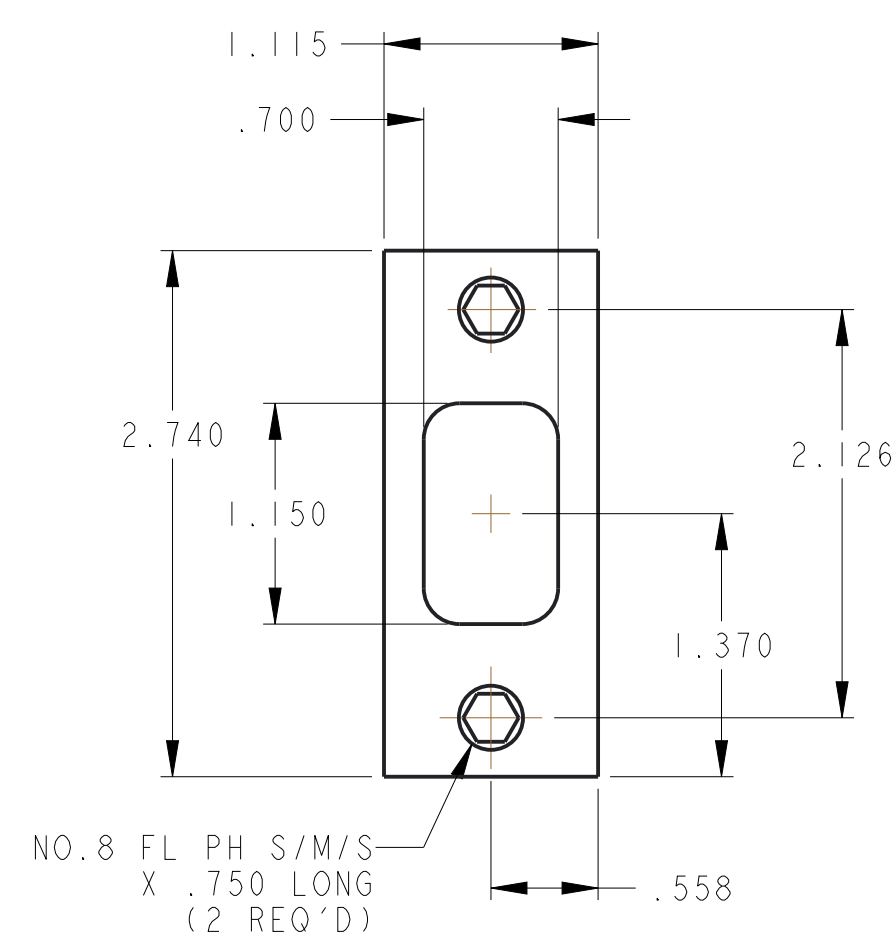


TRIM DETAIL RIGHT HAND ILLUSTRATED

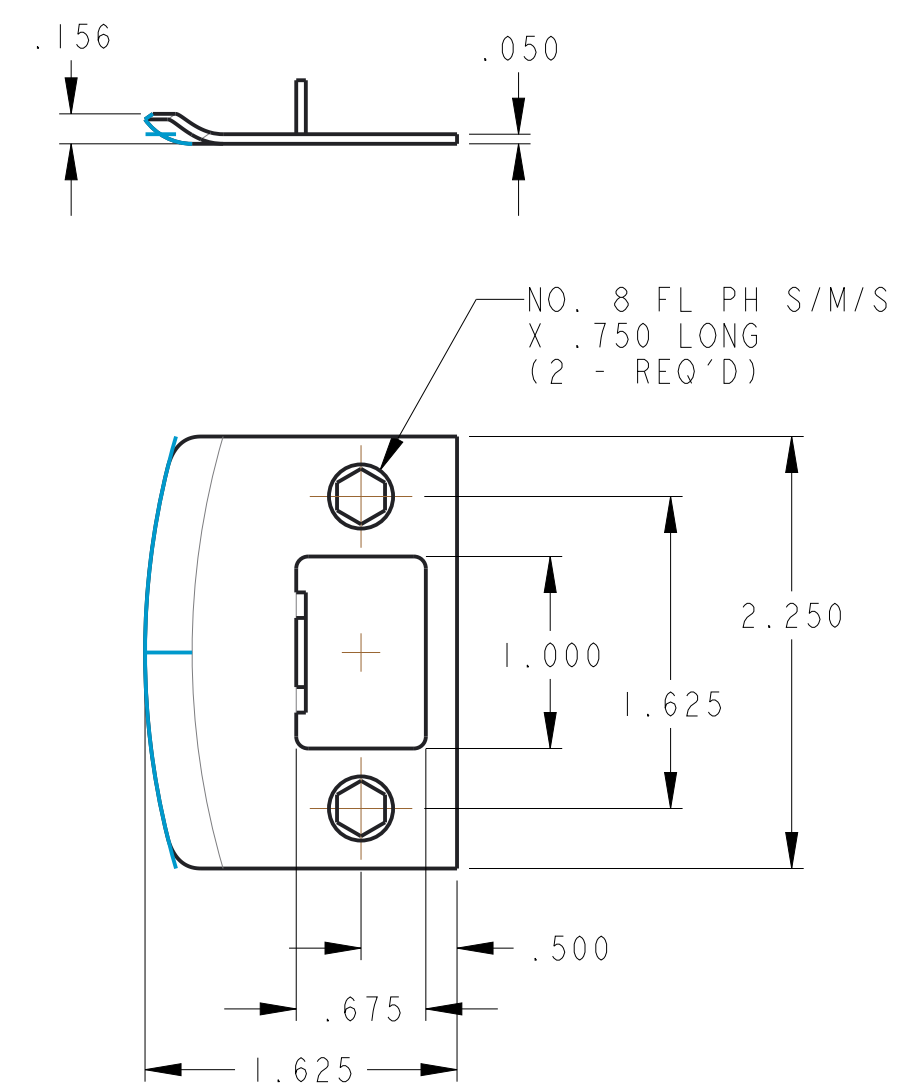


NOTE:
1. TURN KNOB IS NOT CONCENTRIC TO \varnothing 2.125 BORE HOLE.

DEADBOLT STRIKE



LATCH STRIKE



BALDWIN		THIS DOCUMENT IS THE PROPERTY OF SPECTRUM BRANDS. IT AND ITS CONTENTS ARE TO BE KEPT CONFIDENTIAL AND NOT TO BE REPRODUCED OR TRANSMITTED IN ANY FORM OR BY ANY MEANS, ELECTRONIC OR MECHANICAL, INCLUDING PHOTOCOPYING, RECORDING, OR BY ANY INFORMATION STORAGE AND RETRIEVAL SYSTEM. WITHOUT THE WRITTEN CONSENT OF SPECTRUM BRANDS, PRIOR WRITTEN CONSENT.	
Spectrum Brands Hardware & Home Improvement		85392 MINNEAPOLIS FULL TRIM	
SIZE D	DO NOT SCALE DRAWING	DWG NO. P12265-6	RELEASE STATE
SCALE 1/2	Preliminary	REV A	TITER 1
SHEET 6 OF 10		SHEET 6 OF 10	