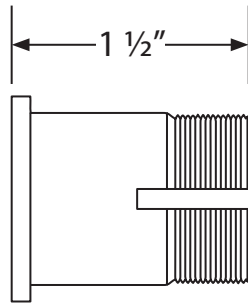
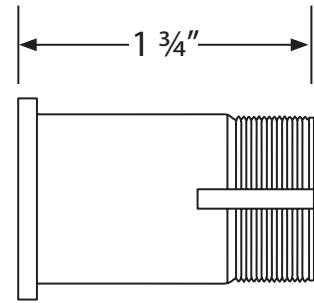


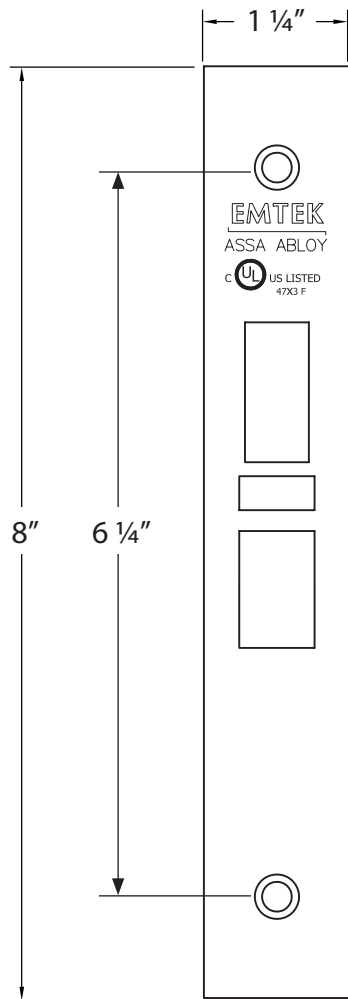
CY5-ThrdMrt1375



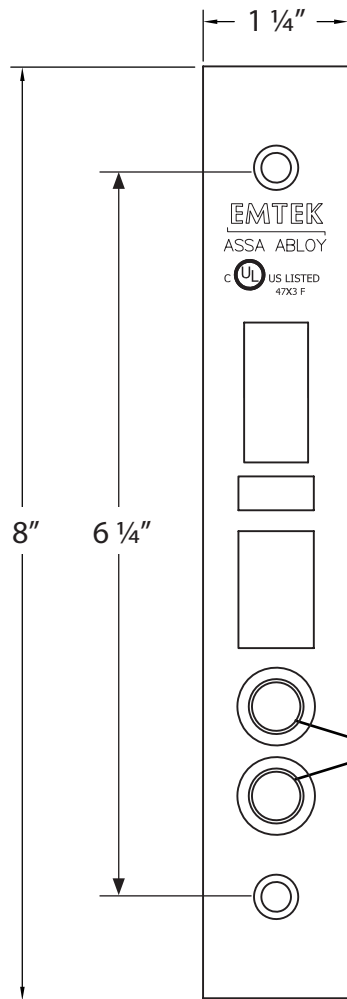
CY5-ThrdMrt150



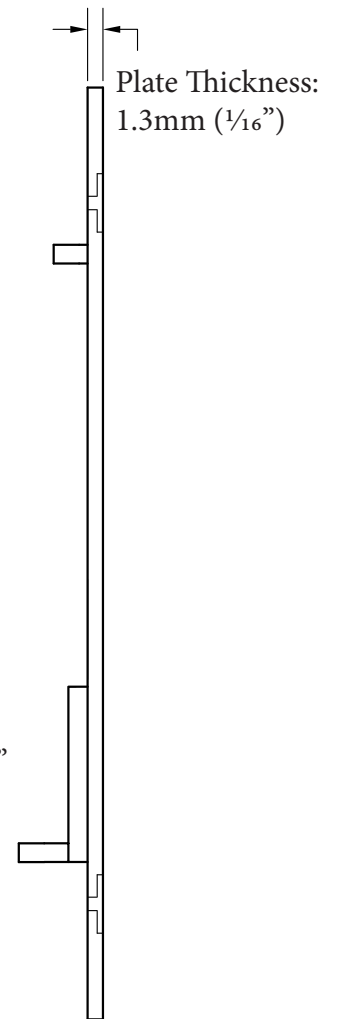
CY5-ThrdMrt175

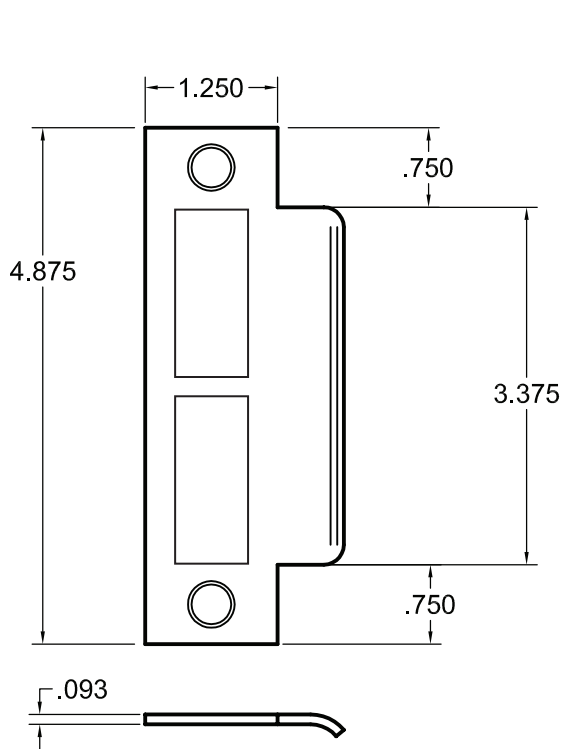


ANSI F13

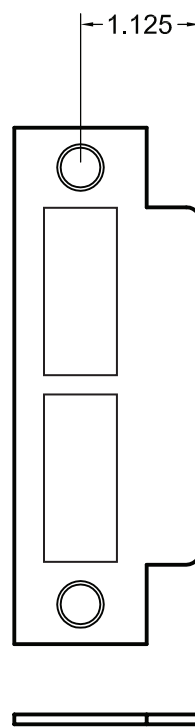


ANSI F20

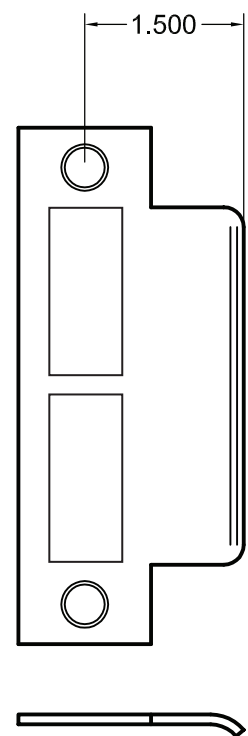




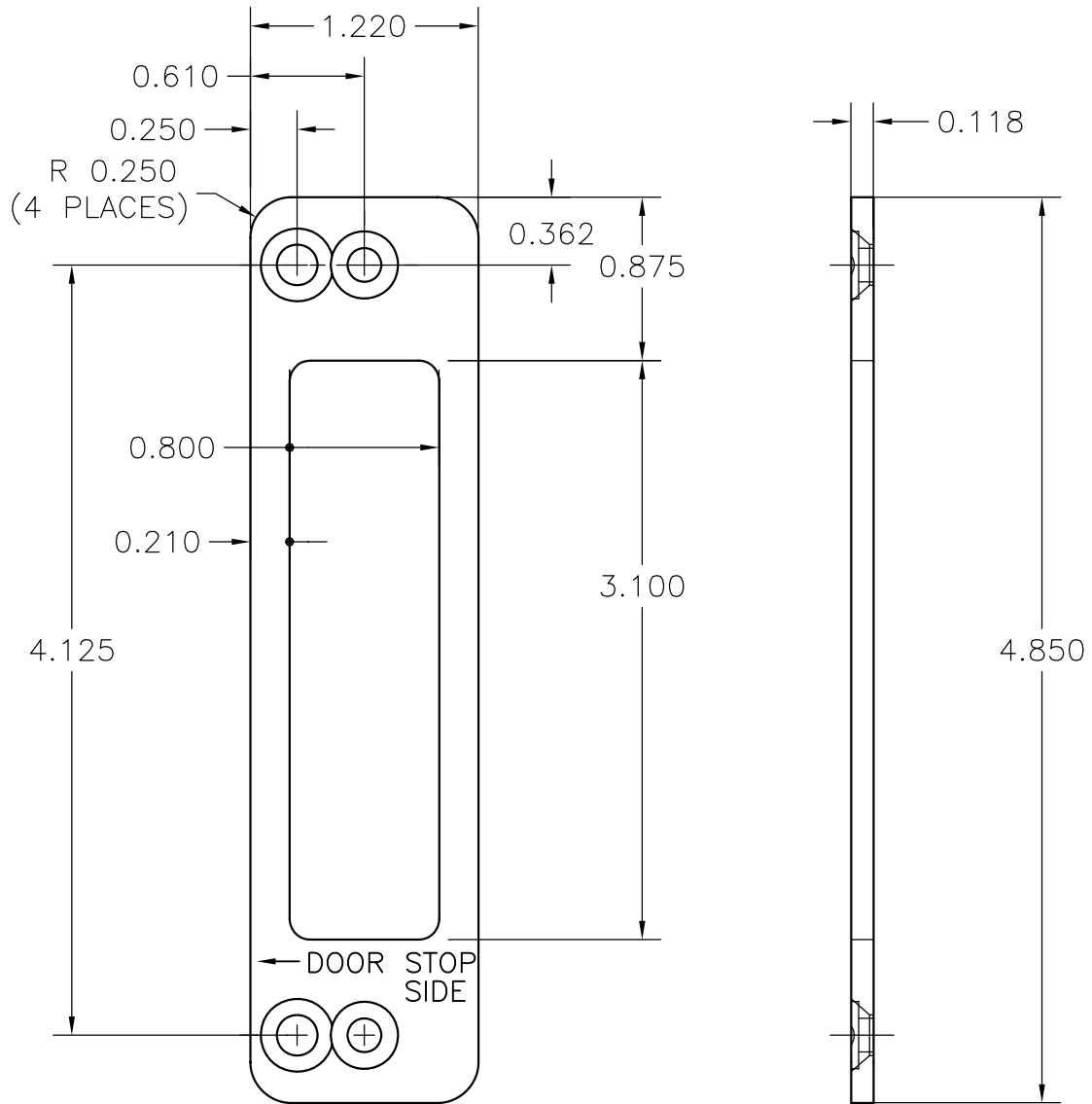
Brass Standard Strike Plate
#86147

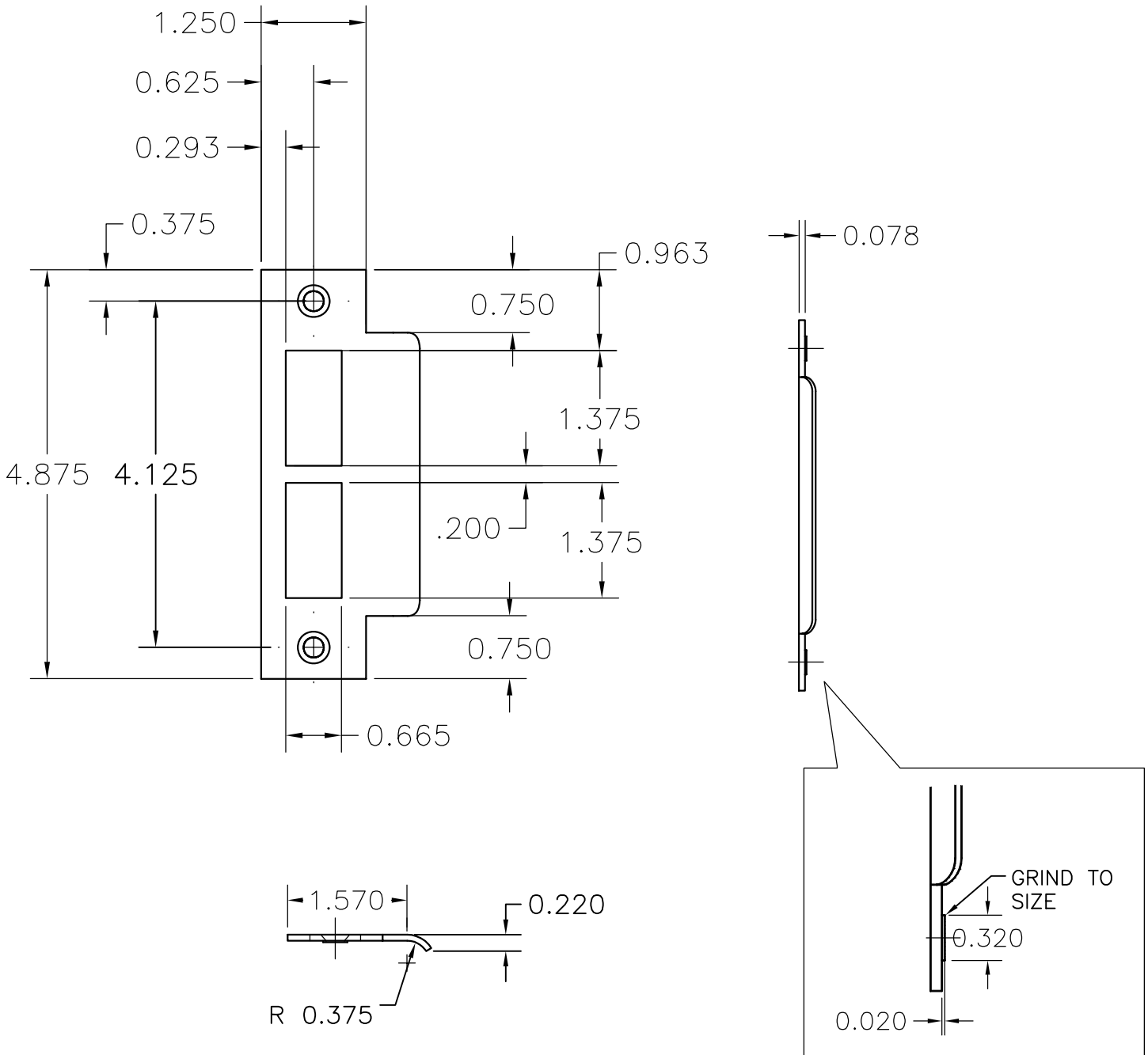


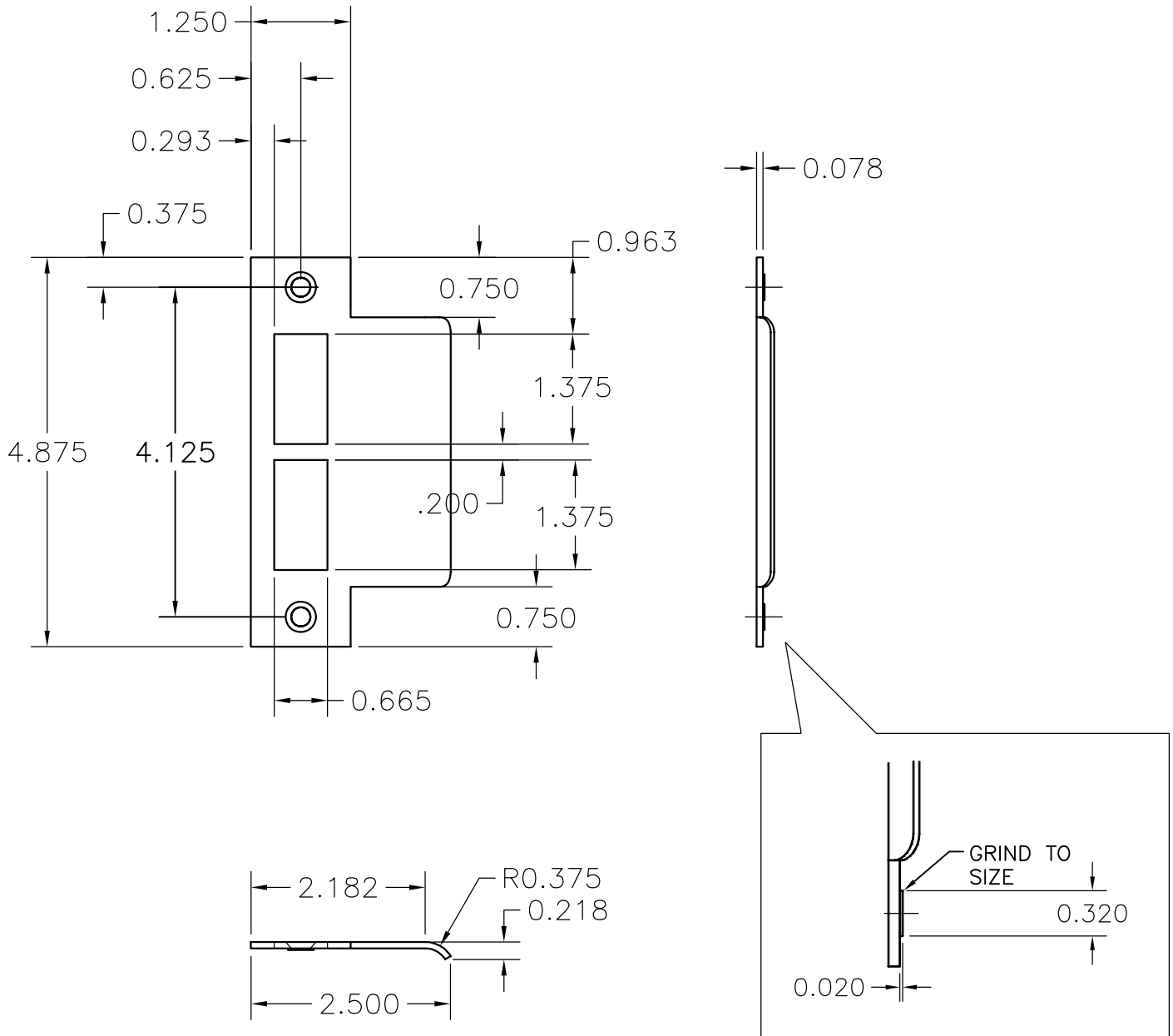
Brass Flat Strike Plate
#86148

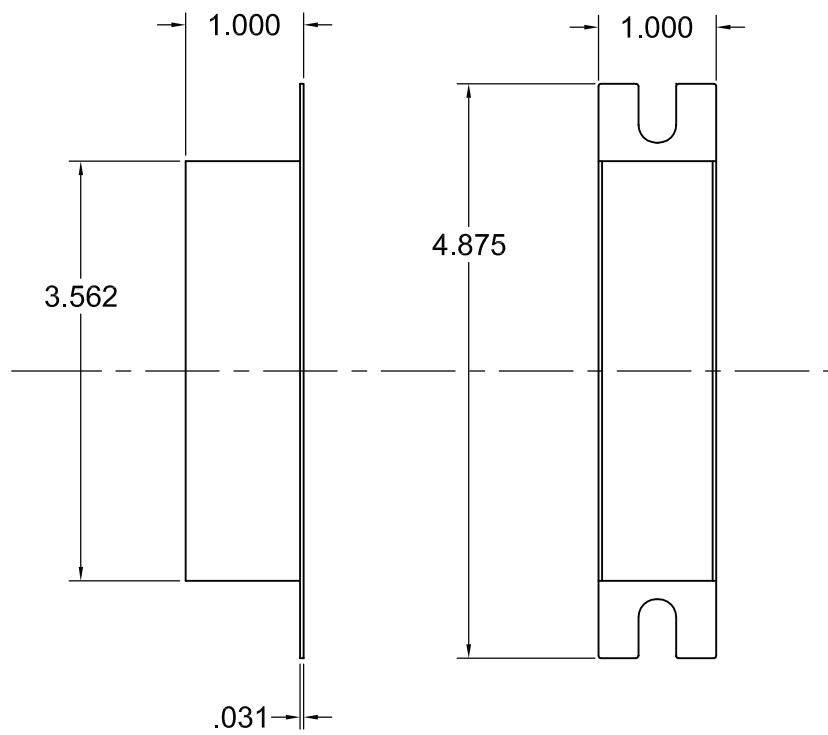


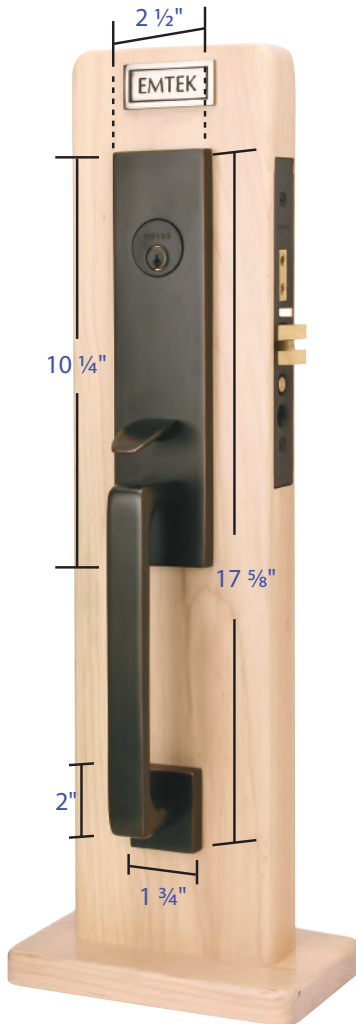
Brass Extended Strike Plate
#86149







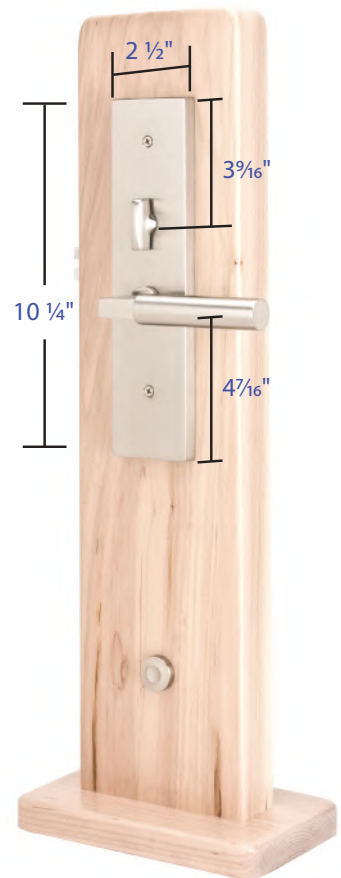




Mormont
 Trim Style
 Part # UL 3347



Lugano
 Trim Style
 Part # UL 3348



Standard interior trim
 Part # UL 3347 & 3348

Additional Dimensions: (Part# UL 3347 & 3348)

- Exterior Projection is 2 1/2"
- Interior Projection Depends on Handle Style
- Overall Grip thickness: 1"
- Clearance between door & grip is 1 1/2" - 1 7/8"
- Plates thickness: 1/2"

Same dimensions for dummy function



Door Thickness Specifications

Standard Door Thickness: 1 3/4"

- Standard Components:
- 1 3/8" Threaded Cylinder
 - 2" Long Spindle
 - 2" Top Rosette Screw
 - 1 1/2" Bottom Rosette Screw
 - Thumbpress
 - Strikeplate

Extended Door Thickness: 1 7/8" - 2 1/4"

- Extended Components:
- 1 1/2" Threaded Cylinder
 - 2" Long Spindle
 - 2 1/2" Top Rosette Screw
 - 2" Bottom Rosette Screw
 - Thumbpress
 - Strikeplate

Extended Door Thickness: 2 3/8" - 2 3/4"

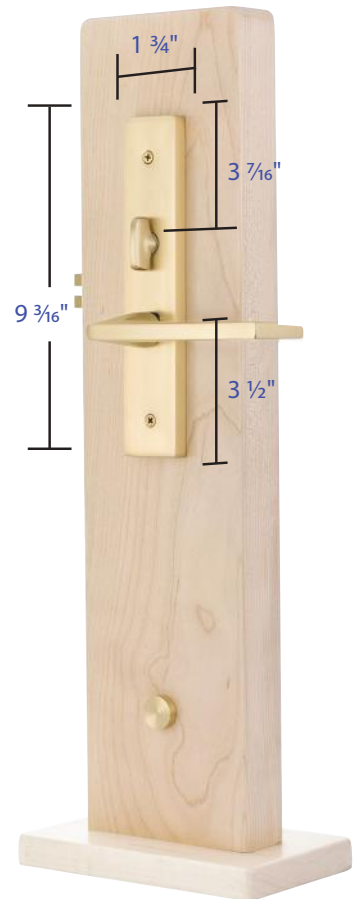
- Extended Components:
- 1 3/4" Threaded Cylinder
 - 2 1/4" Long Spindle
 - 2 1/2" Top Rosette Screw
 - 2" Bottom Rosette Screw
 - Extended Thumbpress
 - Extended Strikeplate



Brisbane
 Trim Style
 Part # UL 3311



Adelaide
 Trim Style
 Part # UL 3312



Standard interior trim
 Part # UL 3311 & 3312

Additional Dimensions: (Part# UL 3311 & 3312)

- Exterior Projection is 2 1/2"
- Interior Projection Depends on Handle Style
- Overall Grip thickness: 1"
- Clearance between door & grip is 1 1/2" - 1 7/8"
- Plates thickness: 1/2"

Same dimensions for dummy function



Door Thickness Specifications

Standard Door Thickness: 1 3/4"

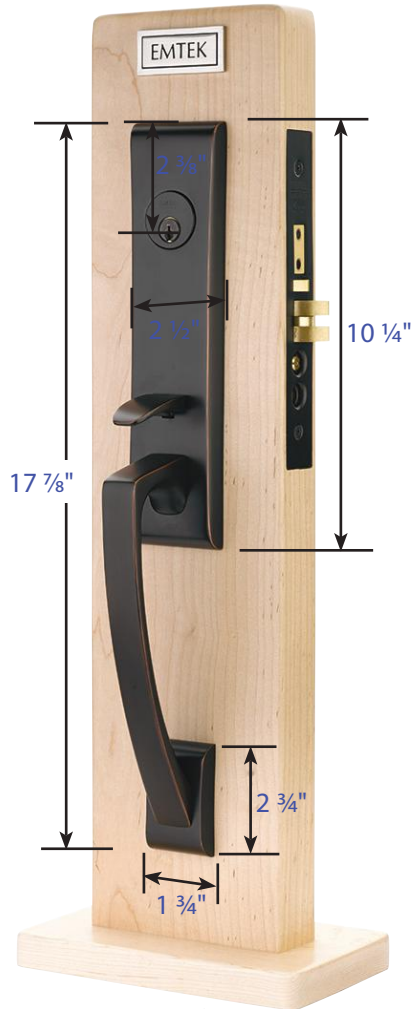
- Standard Components:
- 1 3/8" Threaded Cylinder
 - 2" Long Spindle
 - 2" Top Rosette Screw
 - 1 1/2" Bottom Rosette Screw
 - Thumbpress
 - Strikeplate

Extended Door Thickness: 1 7/8" - 2 1/4"

- Extended Components:
- 1 1/2" Threaded Cylinder
 - 2" Long Spindle
 - 2 1/2" Top Rosette Screw
 - 2" Bottom Rosette Screw
 - Thumbpress
 - Strikeplate

Extended Door Thickness: 2 3/8" - 2 3/4"

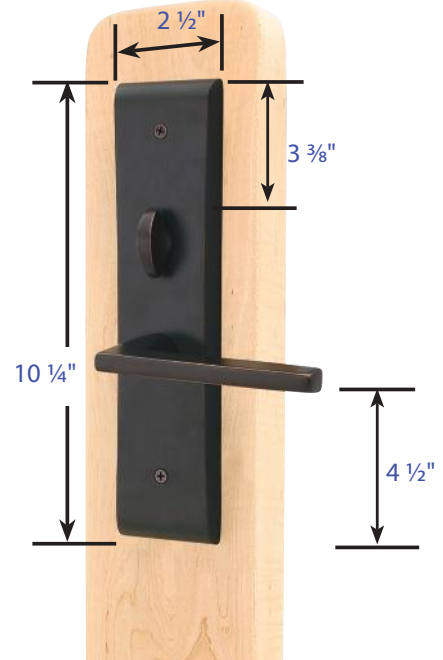
- Extended Components:
- 1 3/4" Threaded Cylinder
 - 2 1/4" Long Spindle
 - 2 1/2" Top Rosette Screw
 - 2" Bottom Rosette Screw
 - Extended Thumbpress
 - Extended Strikeplate



Artemis
Trim Style
Part # UL 3344



Hera
Trim Style
Part # UL 3345



Standard interior trim
Part # UL 3344 & 3345

Additional Dimensions: (Part# UL 3344 & 3345)

- Exterior Projection is 2 3/4"
- Interior Projection Depends on Handle Style
- Overall Grip thickness: 1"
- Clearance between door & grip is 2 1/4"
- Plates thickness: 1/2"

Same dimensions for dummy function



Door Thickness Specifications

Standard Door Thickness: 1 3/4"

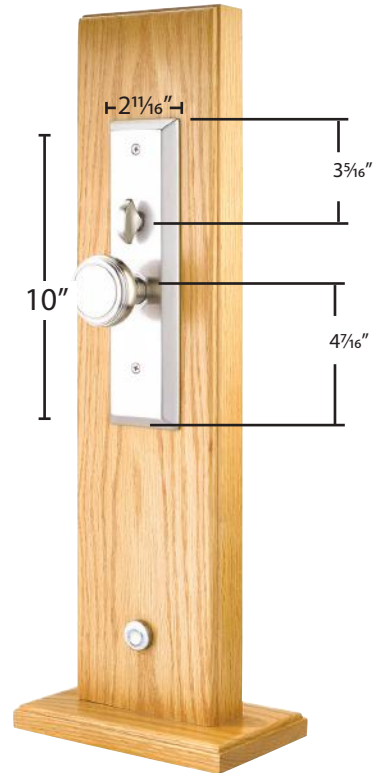
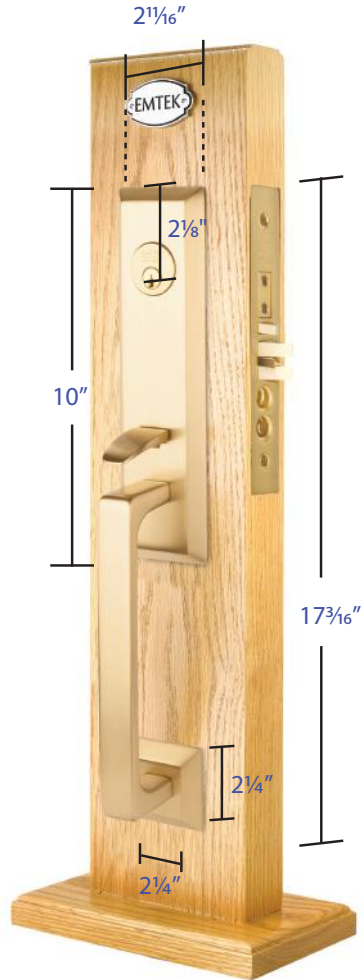
- Standard Components:
- 1 3/8" Threaded Cylinder
 - 2" Long Spindle
 - 2" Top Rosette Screw
 - 1 1/2" Bottom Rosette Screw
 - Thumbpress
 - Strikeplate

Extended Door Thickness: 1 7/8" - 2 1/4"

- Extended Components:
- 1 1/2" Threaded Cylinder
 - 2" Long Spindle
 - 2 1/2" Top Rosette Screw
 - 2" Bottom Rosette Screw
 - Thumbpress
 - Strikeplate

Extended Door Thickness: 2 3/8" - 2 3/4"

- Extended Components:
- 1 3/4" Threaded Cylinder
 - 2 1/4" Long Spindle
 - 2 1/2" Top Rosette Screw
 - 2" Bottom Rosette Screw
 - Extended Thumbpress
 - Extended Strikeplate



Standard interior trim
Part # UL 3339

Transitional Heritage

Trim Style
Part # UL 3339

Additional Dimensions: (Part# UL 3339)

- Exterior Projection is 2 1/2"
- Interior Projection Depends on Handle Style
- Overall Grip thickness: 1"
- Clearance between door & grip is 1 1/2" - 1 7/8"
- Plates thickness: 1/2"

Same dimensions for dummy function



Door Thickness Specifications

Standard Door Thickness: 1 3/4"

- Standard Components:
- 1 3/8" Threaded Cylinder
 - 2" Long Spindle
 - 2" Top Rosette Screw
 - 1 1/2" Bottom Rosette Screw
 - Thumbpress
 - Strikeplate

Extended Door Thickness: 1 7/8" - 2 1/4"

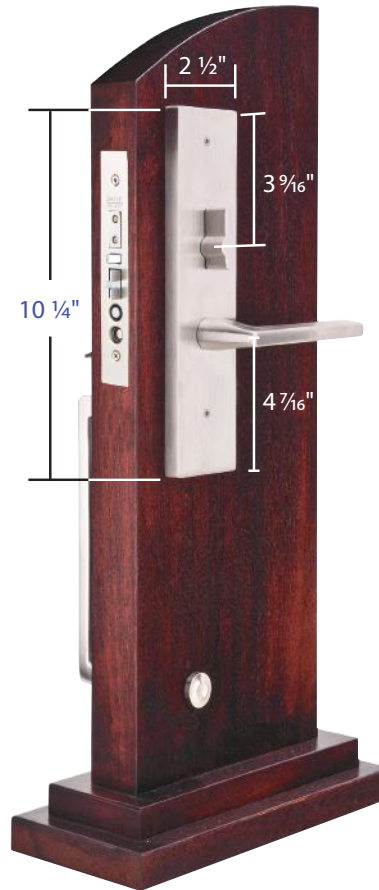
- Extended Components:
- 1 1/2" Threaded Cylinder
 - 2" Long Spindle
 - 2 1/2" Top Rosette Screw
 - 2" Bottom Rosette Screw
 - Thumbpress
 - Strikeplate

Extended Door Thickness: 2 3/8" - 2 3/4"

- Extended Components:
- 1 3/4" Threaded Cylinder
 - 2 1/4" Long Spindle
 - 2 1/2" Top Rosette Screw
 - 2" Bottom Rosette Screw
 - Extended Thumbpress
 - Extended Strikeplate



Mormont Stainless Steel
Trim Style
Part # UL S3301



Standard interior trim
Part # UL S3301

Additional Dimensions: (Part# UL S3301)

- Exterior Projection is 2 3/4"
- Interior Projection Depends on Handle Style
- Overall Grip thickness: 1"
- Clearance between door & grip is 1" - 1 3/4"
- Plates thickness: 1/2"

Same dimensions for dummy function



Door Thickness Specifications

Standard Door Thickness: 1 3/4"

- Standard Components:
- 1 3/8" Threaded Cylinder
 - 2" Long Spindle
 - 2" Top Rosette Screw
 - 1 1/2" Bottom Rosette Screw
 - Thumbpress
 - Strikeplate

Extended Door Thickness: 1 7/8" - 2 1/4"

- Extended Components:
- 1 1/2" Threaded Cylinder
 - 2" Long Spindle
 - 2 1/2" Top Rosette Screw
 - 2" Bottom Rosette Screw
 - Thumbpress
 - Strikeplate

Extended Door Thickness: 2 3/8" - 2 3/4"

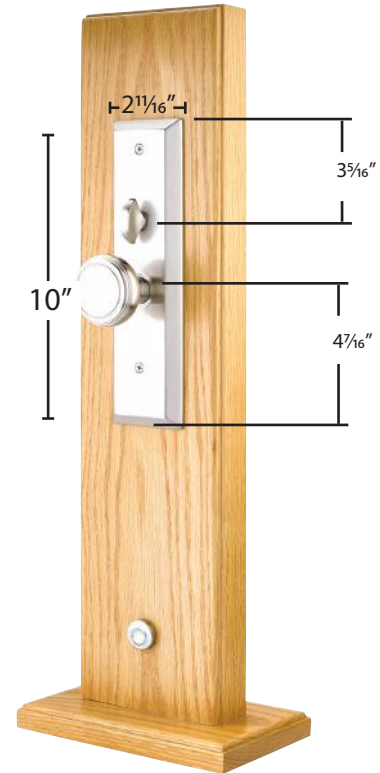
- Extended Components:
- 1 3/4" Threaded Cylinder
 - 2 1/4" Long Spindle
 - 2 1/2" Top Rosette Screw
 - 2" Bottom Rosette Screw
 - Extended Thumbpress
 - Extended Strikeplate



Harrison
 Trim Style
 Part # UL 3351



Middleton
 Trim Style
 Part # UL 3352



Standard interior trim
 Part # UL 3351 & 3352

Additional Dimensions: (Part # UL 3351 & 3352)

- Exterior Projection is 2 3/4"
- Interior Projection Depends on Handle Style
- Overall Grip thickness: 1 1/4"
- Clearance between door & grip is 2"
- Plates thickness: 1/2"

Same dimensions for dummy function



Door Thickness Specifications

Standard Door Thickness: 1 3/4"

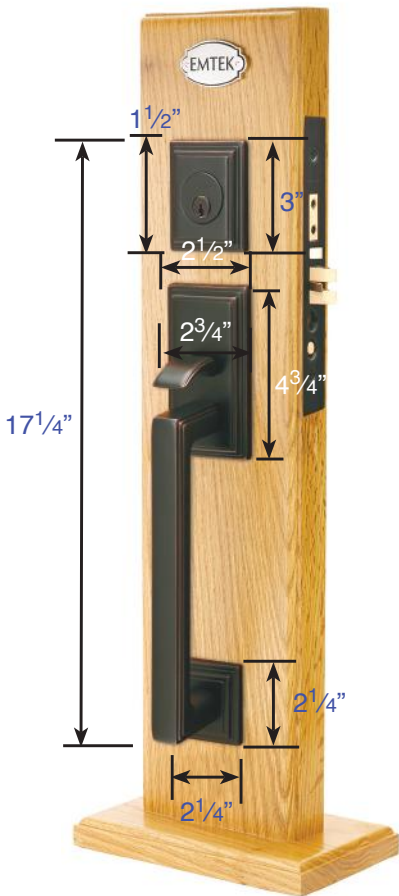
- Standard Components:
- 1 3/8" Threaded Cylinder
 - 2" Long Spindle
 - 2" Top Rosette Screw
 - 1 1/2" Bottom Rosette Screw
 - Thumbpress
 - Strikeplate

Extended Door Thickness: 1 7/8" - 2 1/4"

- Extended Components:
- 1 1/2" Threaded Cylinder
 - 2" Long Spindle
 - 2 1/2" Top Rosette Screw
 - 2" Bottom Rosette Screw
 - Thumbpress
 - Strikeplate

Extended Door Thickness: 2 3/8" - 2 3/4"

- Extended Components:
- 1 3/4" Threaded Cylinder
 - 2 1/4" Long Spindle
 - 2 1/2" Top Rosette Screw
 - 2" Bottom Rosette Screw
 - Extended Thumbpress
 - Extended Strikeplate



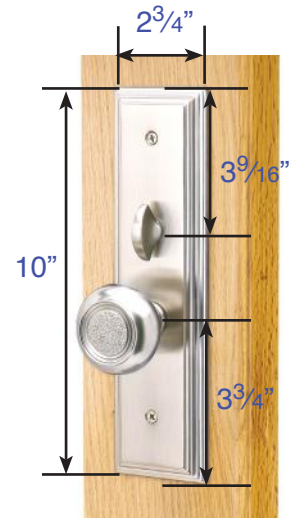
Mills
Trim
Part # UL 3310
DISCONTINUED



Manhattan
Trim Style
Part # UL 3306



Melrose
Trim Style
Part # UL 3305



Standard interior trim
Part # UL 3310, 3306 & 3305

Additional Dimensions: (Part # UL 3310, 3306 & 3305)

- Exterior Projection is 2 5/8"
- Interior Projection Depends on Handle Style
- Overall Grip thickness: 1"
- Clearance between door & grip is 1 3/8"
- Plates thickness: 1/2"

Same dimensions for dummy function



Door Thickness Specifications

Standard Door Thickness: 1 3/4"

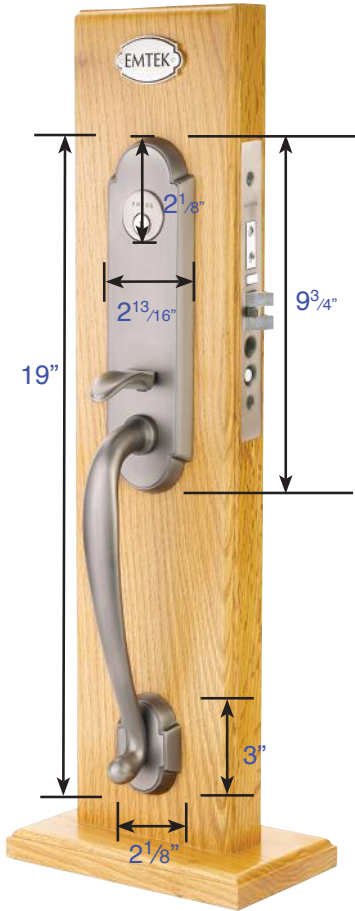
- Standard Components:
- 1 3/8" Threaded Cylinder
 - 2" Long Spindle
 - 2" Top Rosette Screw
 - 1 1/2" Bottom Rosette Screw
 - Thumbpress
 - Strikeplate

Extended Door Thickness: 1 7/8" - 2 1/4"

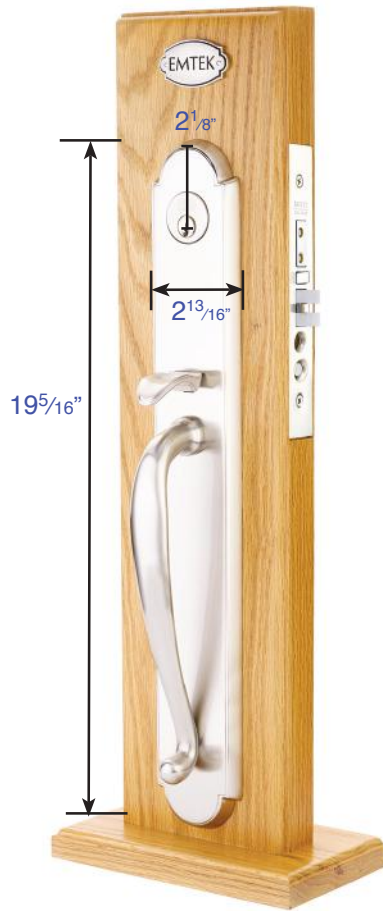
- Extended Components:
- 1 1/2" Threaded Cylinder
 - 2" Long Spindle
 - 2 1/2" Top Rosette Screw
 - 2" Bottom Rosette Screw
 - Thumbpress
 - Strikeplate

Extended Door Thickness: 2 3/8" - 2 3/4"

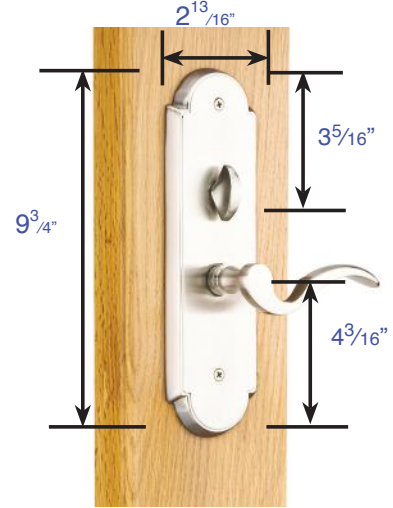
- Extended Components:
- 1 3/4" Threaded Cylinder
 - 2 1/4" Long Spindle
 - 2 1/2" Top Rosette Screw
 - 2" Bottom Rosette Screw
 - Extended Thumbpress
 - Extended Strikeplate



Charleston
 Trim Style
 Part # UL 3343



Albany
 Trim Style
 Part # UL 3350



Standard interior trim
 Part # UL 3343 & 3350

Additional Dimensions: (Part# UL 3343 & 3350)

- Exterior Projection is 2 3/4"
- Interior Projection Depends on Handle Style
- Overall Grip thickness: 1 1/4"
- Clearance between door & grip is 2"
- Plates thickness: 1/2"

Same dimensions for dummy function



Door Thickness Specifications

Standard Door Thickness: 1 3/4"

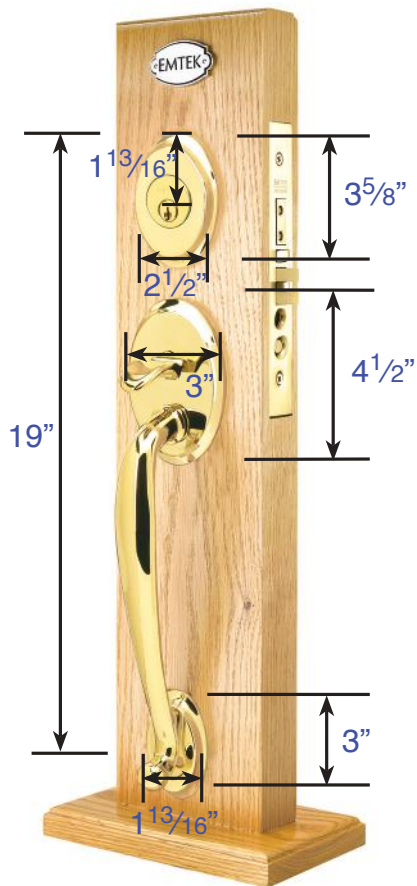
- Standard Components:
- 1 3/8" Threaded Cylinder
 - 2" Long Spindle
 - 2" Top Rosette Screw
 - 1 1/2" Bottom Rosette Screw
 - Thumbpress
 - Strikeplate

Extended Door Thickness: 1 7/8" - 2 1/4"

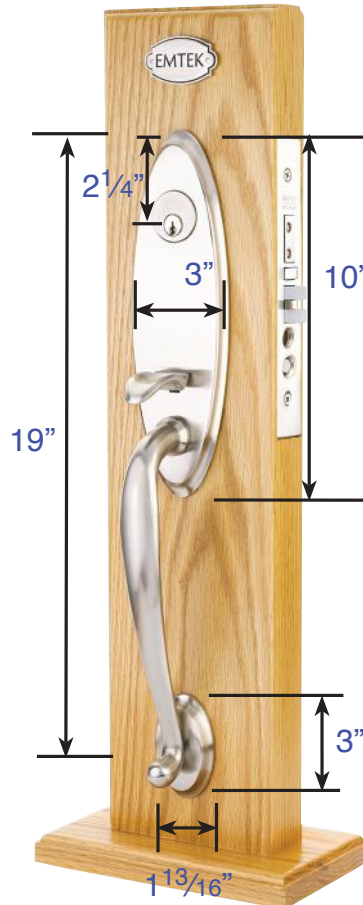
- Extended Components:
- 1 1/2" Threaded Cylinder
 - 2" Long Spindle
 - 2 1/2" Top Rosette Screw
 - 2" Bottom Rosette Screw
 - Thumbpress
 - Strikeplate

Extended Door Thickness: 2 3/8" - 2 3/4"

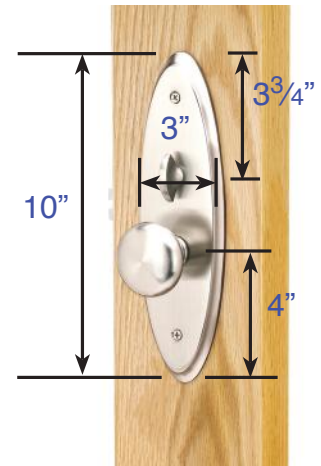
- Extended Components:
- 1 3/4" Threaded Cylinder
 - 2 1/4" Long Spindle
 - 2 1/2" Top Rosette Screw
 - 2" Bottom Rosette Screw
 - Extended Thumbpress
 - Extended Strikeplate



Salem
Trim Style
Part # UL 3301
DISCONTINUED



Memphis
Trim Style
Part # UL 3302



Standard interior trim
Part # UL 3301 & 3302

Additional Dimensions: (Part # UL 3301 & 3302)

- Exterior Projection is 2 3/4"
- Interior Projection Depends on Handle Style
- Overall Grip thickness: 1 1/4"
- Clearance between door & grip is 2"
- Plates thickness: 1/2"

Same dimensions for dummy function



Door Thickness Specifications

Standard Door Thickness: 1 3/4"

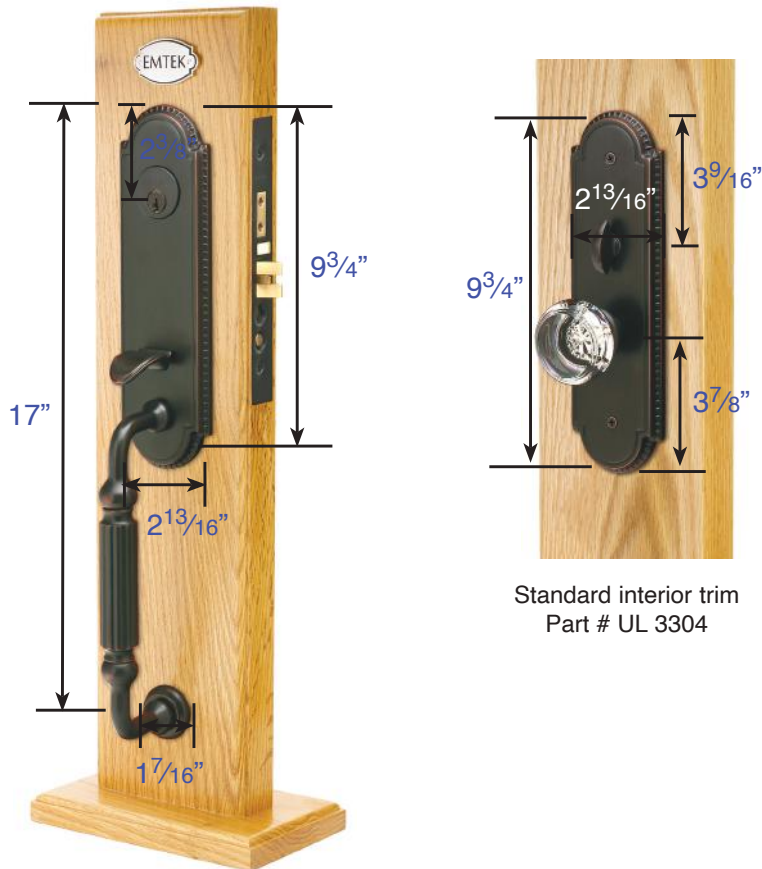
- Standard Components:
- 1 3/8" Threaded Cylinder
 - 2" Long Spindle
 - 2" Top Rosette Screw
 - 1 1/2" Bottom Rosette Screw
 - Thumbpress
 - Strikeplate

Extended Door Thickness: 1 7/8" - 2 1/4"

- Extended Components:
- 1 1/2" Threaded Cylinder
 - 2" Long Spindle
 - 2 1/2" Top Rosette Screw
 - 2" Bottom Rosette Screw
 - Thumbpress
 - Strikeplate

Extended Door Thickness: 2 3/8" - 2 3/4"

- Extended Components:
- 1 3/4" Threaded Cylinder
 - 2 1/4" Long Spindle
 - 2 1/2" Top Rosette Screw
 - 2" Bottom Rosette Screw
 - Extended Thumbpress
 - Extended Strikeplate



Hamilton
Trim Style
Part # UL 3304

Additional Dimensions: (Part # UL 3304)

- Exterior Projection is 2 7/8"
- Interior Projection Depends on Handle Style
- Overall Grip thickness: 1 1/4"
- Clearance between door & grip is 1 1/2"
- Plates thickness: 1/2"

Same dimensions for dummy function



Door Thickness Specifications

Standard Door Thickness: 1 3/4"

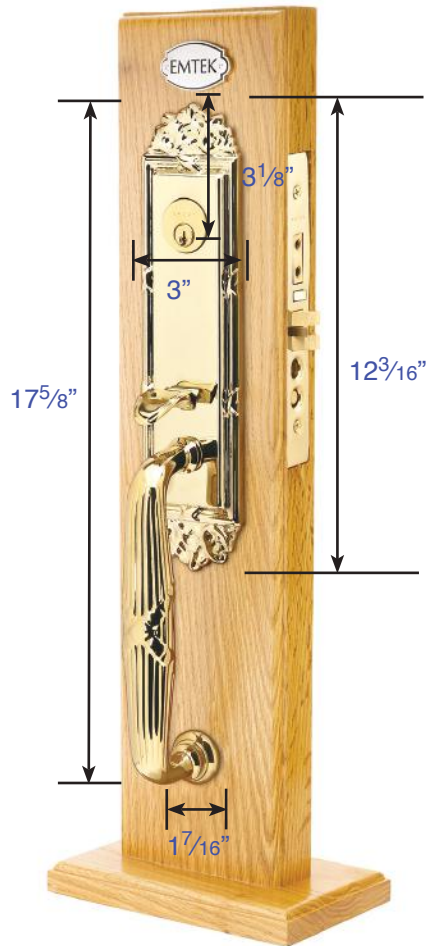
- Standard Components:
- 1 3/8" Threaded Cylinder
 - 2" Long Spindle
 - 2" Top Rosette Screw
 - 1 1/2" Bottom Rosette Screw
 - Thumbpress
 - Strikeplate

Extended Door Thickness: 1 7/8" - 2 1/4"

- Extended Components:
- 1 1/2" Threaded Cylinder
 - 2" Long Spindle
 - 2 1/2" Top Rosette Screw
 - 2" Bottom Rosette Screw
 - Thumbpress
 - Strikeplate

Extended Door Thickness: 2 3/8" - 2 3/4"

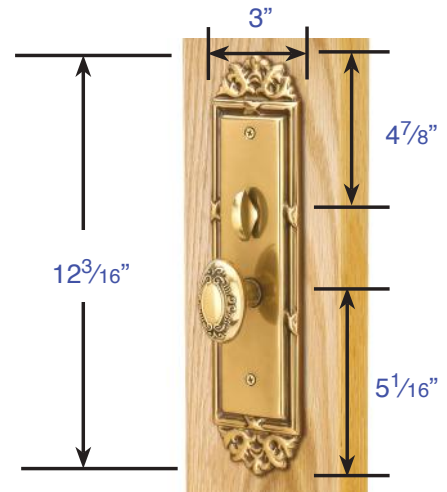
- Extended Components:
- 1 3/4" Threaded Cylinder
 - 2 1/4" Long Spindle
 - 2 1/2" Top Rosette Screw
 - 2" Bottom Rosette Screw
 - Extended Thumbpress
 - Extended Strikeplate



Regency
 Trim Style
 Part # UL 3307



Versailles
 Trim Style
 Part # UL 3309



Standard interior trim
 Part # UL 3307 & 3309

Additional Dimensions: (Part # UL 3307 & 3309)

- Exterior Projection is 2 3/4"
- Interior Projection Depends on Handle Style
- Overall Grip thickness: 1 3/8"
- Clearance between door & grip is 1 1/16"
- Plates thickness: 1/2"

Same dimensions for dummy function



Door Thickness Specifications

Standard Door Thickness: 1 3/4"

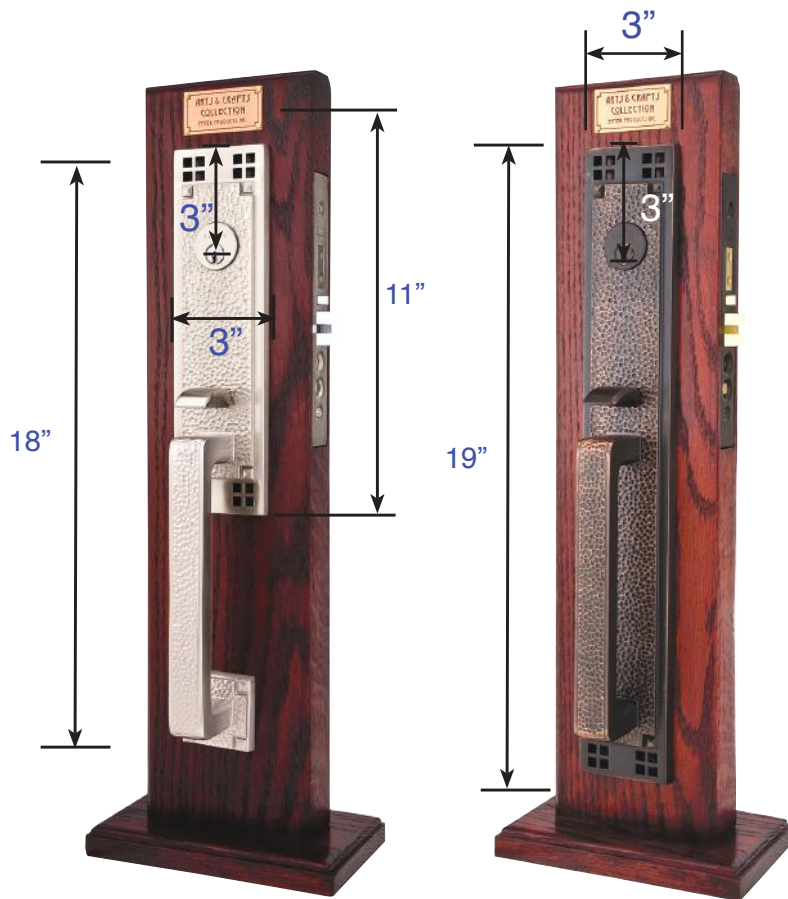
- Standard Components:
- 1 3/8" Threaded Cylinder
 - 2" Long Spindle
 - 2" Top Rosette Screw
 - 1 1/2" Bottom Rosette Screw
 - Thumbpress
 - Strikeplate

Extended Door Thickness: 1 7/8" - 2 1/4"

- Extended Components:
- 1 1/2" Threaded Cylinder
 - 2" Long Spindle
 - 2 1/2" Top Rosette Screw
 - 2" Bottom Rosette Screw
 - Thumbpress
 - Strikeplate

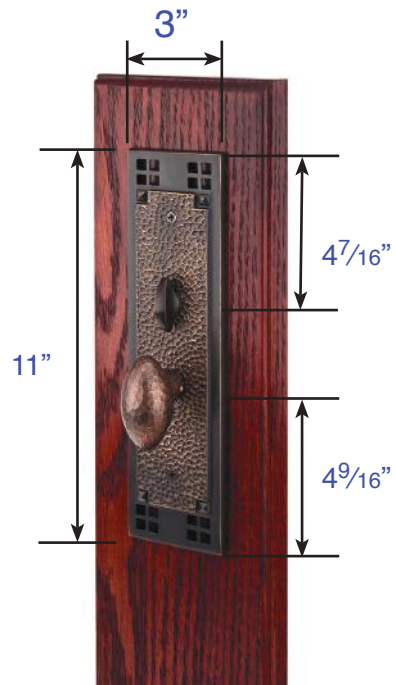
Extended Door Thickness: 2 3/8" - 2 3/4"

- Extended Components:
- 1 3/4" Threaded Cylinder
 - 2 1/4" Long Spindle
 - 2 1/2" Top Rosette Screw
 - 2" Bottom Rosette Screw
 - Extended Thumbpress
 - Extended Strikeplate



Craftsman
Trim Style
Part # UL 3308

Craftsman Full Length
Trim Style
Part # UL 3349



Standard Interior Trim
Part # UL 3308 & 3349

Additional Dimensions: (Part # UL 3308 & 3349)

- Exterior Projection is 2 5/8"
- Interior Projection Depends on Handle Style
- Overall Grip thickness: 1 1/8"
- Clearance between door & grip is 1 3/8"
- Plates thickness: 1/2"

Same dimensions for dummy function



Door Thickness Specifications

Standard Door Thickness: 1 3/4"

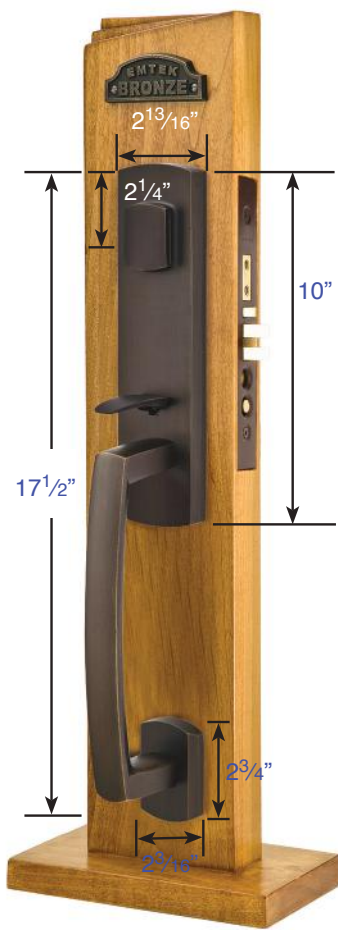
- Standard Components:
- 1 3/8" Threaded Cylinder
 - 2" Long Spindle
 - 2" Top Rosette Screw
 - 1 1/2" Bottom Rosette Screw
 - Thumbpress
 - Strikeplate

Extended Door Thickness: 1 7/8" - 2 1/4"

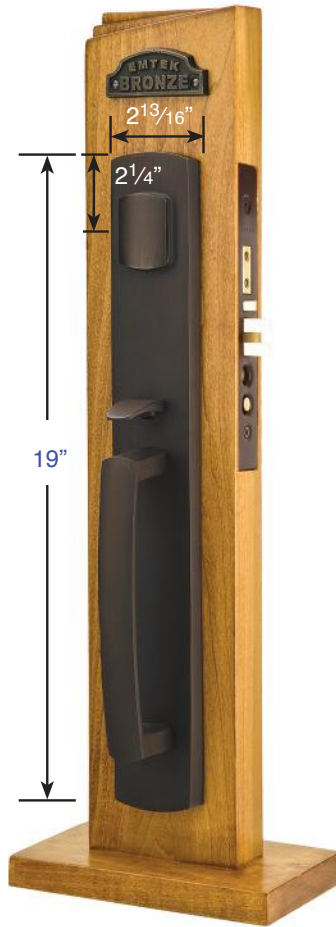
- Extended Components:
- 1 1/2" Threaded Cylinder
 - 2" Long Spindle
 - 2 1/2" Top Rosette Screw
 - 2" Bottom Rosette Screw
 - Thumbpress
 - Strikeplate

Extended Door Thickness: 2 3/8" - 2 3/4"

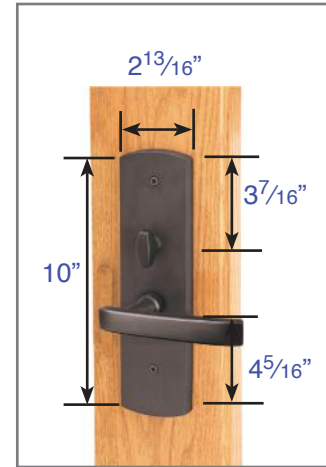
- Extended Components:
- 1 3/4" Threaded Cylinder
 - 2 1/4" Long Spindle
 - 2 1/2" Top Rosette Screw
 - 2" Bottom Rosette Screw
 - Extended Thumbpress
 - Extended Strikeplate



Sonoma
Trim Style
Part # UL 3329



Longmont
Trim Style
Part # UL 3330



Standard Interior Trim
Part # UL 3329 & 3330

Additional Dimensions: (Part # UL 3329 & 3330)

- Exterior Projection is 3 1/8"
- Interior Projection Depends on Handle Style
- Overall Grip thickness: 1 3/4"
- Clearance between door & grip is 1 3/4"
- Plates thickness: 1/2"

Same dimensions for dummy function



Door Thickness Specifications

Standard Door Thickness: 1 3/4"

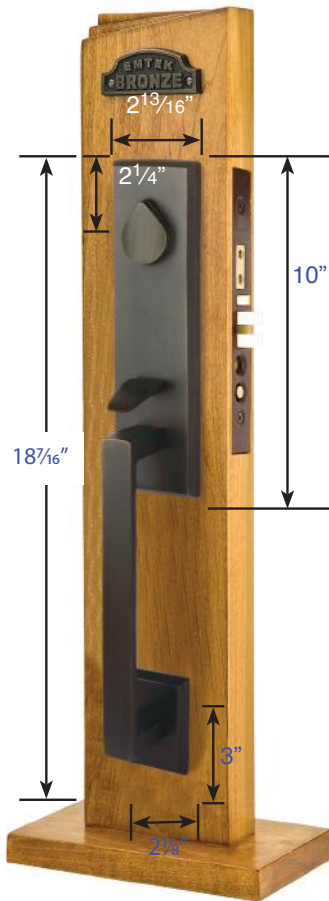
- Standard Components:
- 1 3/8" Threaded Cylinder
 - 2" Long Spindle
 - 2" Top Rosette Screw
 - 1 1/2" Bottom Rosette Screw
 - Thumbpress
 - Strikeplate

Extended Door Thickness: 1 7/8" - 2 1/4"

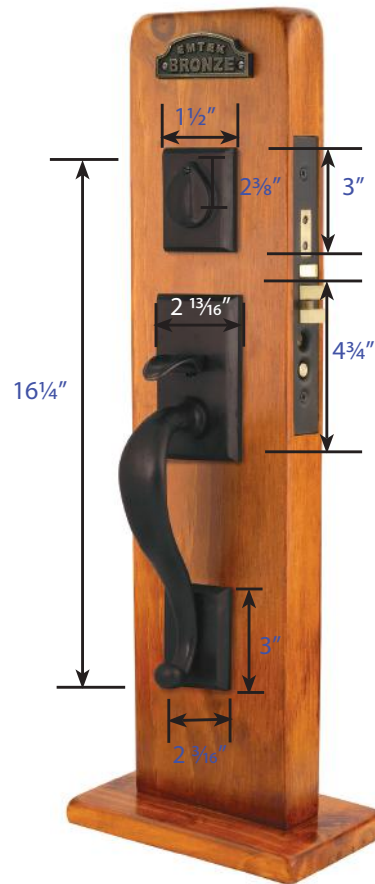
- Extended Components:
- 1 1/2" Threaded Cylinder
 - 2" Long Spindle
 - 2 1/2" Top Rosette Screw
 - 2" Bottom Rosette Screw
 - Thumbpress
 - Strikeplate

Extended Door Thickness: 2 3/8" - 2 5/8"

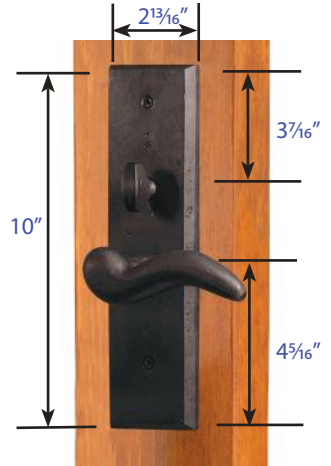
- Extended Components:
- 1 3/4" Threaded Cylinder
 - 2 1/4" Long Spindle
 - 2 1/2" Top Rosette Screw
 - 2" Bottom Rosette Screw
 - Extended Thumbpress
 - Extended Strikeplate
 - **2 3/4" TD Requires 2" Threaded Cylinder**



Rustic Modern Rectangular
Trim Style
Part # UL 3340



Rectangular Sectional
Trim Style
Part # UL 3324



Standard interior trim
Part # UL 3324 & 3340

Additional Dimensions: (Part # UL 3340 & 3324)

- Exterior Projection is 3 1/8"
- Interior Projection Depends on Handle Style
- Overall Grip thickness: 1 3/4"
- Clearance between door & grip is 1 3/4"
- Plates thickness: 1/2"

Same dimensions for dummy function



Door Thickness Specifications

Standard Door Thickness: 1 3/4"

Standard Components:

- 1 1/2" Threaded Cylinder
- 2" Long Spindle
- 2" Top Rosette Screw
- 1 1/2" Bottom Rosette Screw
- Thumbpress
- Strikeplate

Extended Door Thickness: 1 7/8" - 2 1/4"

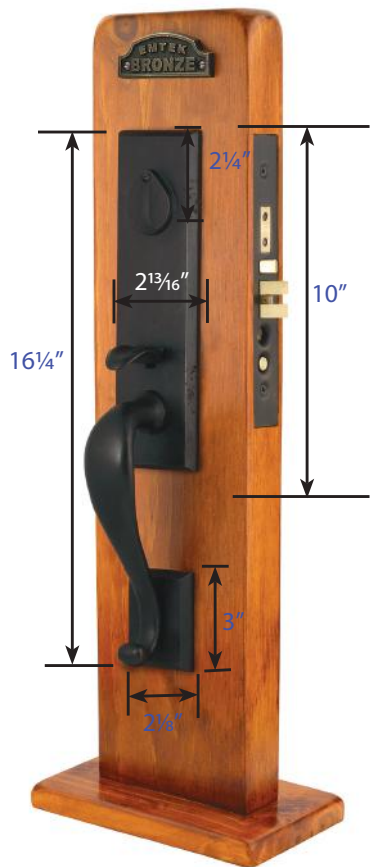
Extended Components:

- 1 1/2" Threaded Cylinder
- 2" Long Spindle
- 2 1/2" Top Rosette Screw
- 2" Bottom Rosette Screw
- Thumbpress
- Strikeplate

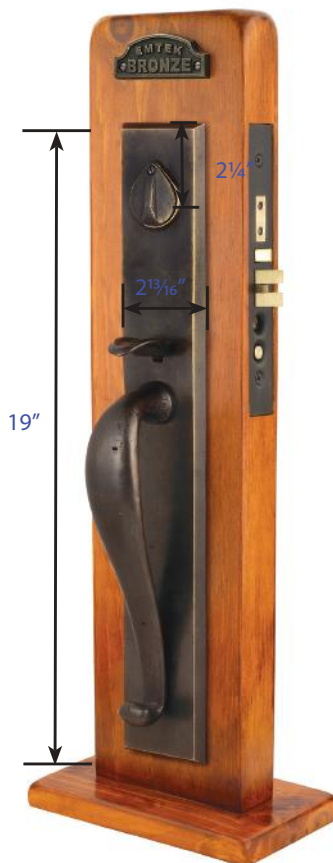
Extended Door Thickness: 2 3/8" - 2 5/8"

Extended Components:

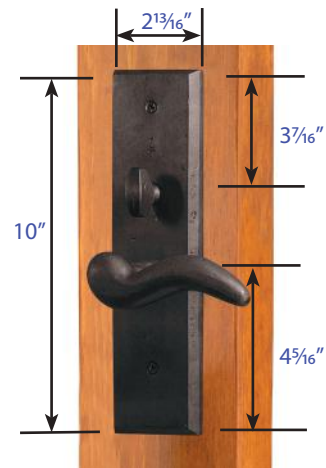
- 1 3/4" Threaded Cylinder
- 2 1/4" Long Spindle
- 2 1/2" Top Rosette Screw
- 2" Bottom Rosette Screw
- Extended Thumbpress
- Extended Strikeplate
- **2 3/4" TD Requires 2" Threaded Cylinder**



Rectangular Monolithic
Trim Style
Part # UL 3325



Rectangular Full Length
Trim Style
Part # UL 3326



Standard interior trim
Part # UL 3325 & 3326

Additional Dimensions: (Part # UL 3325 & 3326)

- Exterior Projection is 3 1/8"
- Interior Projection Depends on Handle Style
- Overall Grip thickness: 1 3/4"
- Clearance between door & grip is 1 3/4"
- Plates thickness: 1/2"

Same dimensions for dummy function



Door Thickness Specifications

Standard Door Thickness: 1 3/4"

Standard Components:

- 1 3/8" Threaded Cylinder
- 2" Long Spindle
- 2" Top Rosette Screw
- 1 1/2" Bottom Rosette Screw
- Thumbpress
- Strikeplate

Extended Door Thickness: 1 7/8" - 2 1/4"

Extended Components:

- 1 1/2" Threaded Cylinder
- 2" Long Spindle
- 2 1/2" Top Rosette Screw
- 2" Bottom Rosette Screw
- Thumbpress
- Strikeplate

Extended Door Thickness: 2 3/8" - 2 5/8"

Extended Components:

- 1 3/4" Threaded Cylinder
- 2 1/4" Long Spindle
- 2 1/2" Top Rosette Screw
- 2" Bottom Rosette Screw
- Extended Thumbpress
- Extended Strikeplate
- **2 3/4" TD Requires 2" Threaded Cylinder**



Denver
Trim Style
Part # UL 3323

Standard interior trim
Part # UL 3323

Additional Dimensions: (Part # UL 3323)

- Exterior Projection is 3"
- Interior Projection Depends on Handle Style
- Overall Grip thickness: 1"
- Clearance between door & grip is 1 1/2"
- Plates thickness: 1/2"

Same dimensions for dummy function



Door Thickness Specifications		
<p>Standard Door Thickness: 1 3/4"</p> <p>Standard Components:</p> <ul style="list-style-type: none"> • 1 3/8" Threaded Cylinder • 2" Long Spindle • 2" Top Rosette Screw • 1 1/2" Bottom Rosette Screw • Thumbpress • Strikeplate 	<p>Extended Door Thickness: 1 7/8" - 2 1/4"</p> <p>Extended Components:</p> <ul style="list-style-type: none"> • 1 1/2" Threaded Cylinder • 2" Long Spindle • 2 1/2" Top Rosette Screw • 2" Bottom Rosette Screw • Thumbpress • Strikeplate 	<p>Extended Door Thickness: 2 3/8" - 2 5/8"</p> <p>Extended Components:</p> <ul style="list-style-type: none"> • 1 3/4" Threaded Cylinder • 2 1/4" Long Spindle • 2 1/2" Top Rosette Screw • 2" Bottom Rosette Screw • Extended Thumbpress • Extended Strikeplate • 2 3/4" TD Requires 2" Threaded Cylinder



Cheyenne
Trim Style
Part # UL 3321

Topeka
Trim Style
Part # UL 3322

Standard interior trim
Part # UL 3321 & 3322

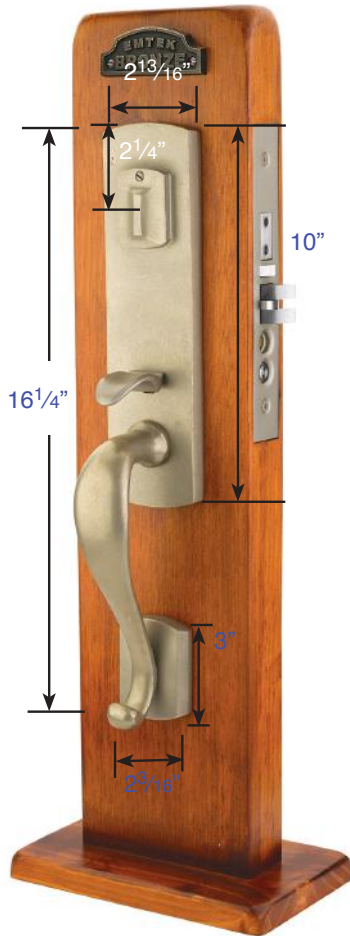
Additional Dimensions: (Part # UL 3321 & 3322)

- Exterior Projection is 3 1/8"
- Interior Projection Depends on Handle Style
- Overall Grip thickness: 1 3/4"
- Clearance between door & grip is 1 3/4"
- Plates thickness: 1/2"

Same dimensions for dummy function



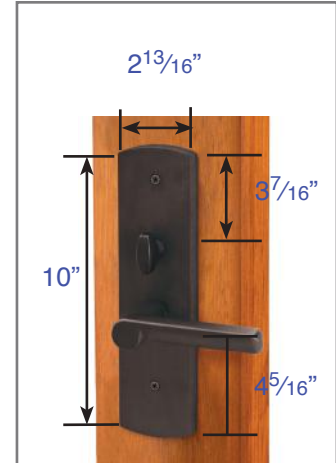
Door Thickness Specifications		
<p>Standard Door Thickness: 1 3/4"</p> <p>Standard Components:</p> <ul style="list-style-type: none"> • 1-1/2" Threaded Cylinder • 2" Long Spindle • 2" Top Rosette Screw • 1 1/2" Bottom Rosette Screw • Thumbpress • Strikeplate 	<p>Extended Door Thickness: 1 7/8" - 2 1/4"</p> <p>Extended Components:</p> <ul style="list-style-type: none"> • 1 1/2" Threaded Cylinder • 2" Long Spindle • 2 1/2" Top Rosette Screw • 2" Bottom Rosette Screw • Thumbpress • Strikeplate 	<p>Extended Door Thickness: 2 3/8" - 2 5/8"</p> <p>Extended Components:</p> <ul style="list-style-type: none"> • 1 3/4" Threaded Cylinder • 2 1/4" Long Spindle • 2 1/2" Top Rosette Screw • 2" Bottom Rosette Screw • Extended Thumbpress • Extended Strikeplate • 2 3/4" TD Requires 2" Threaded Cylinder



Morgan
Trim Style
Part # UL 3327



Rockford
Trim Style
Part # UL 3328
DISCONTINUED



Standard interior trim
Part # UL 3327 & 3328

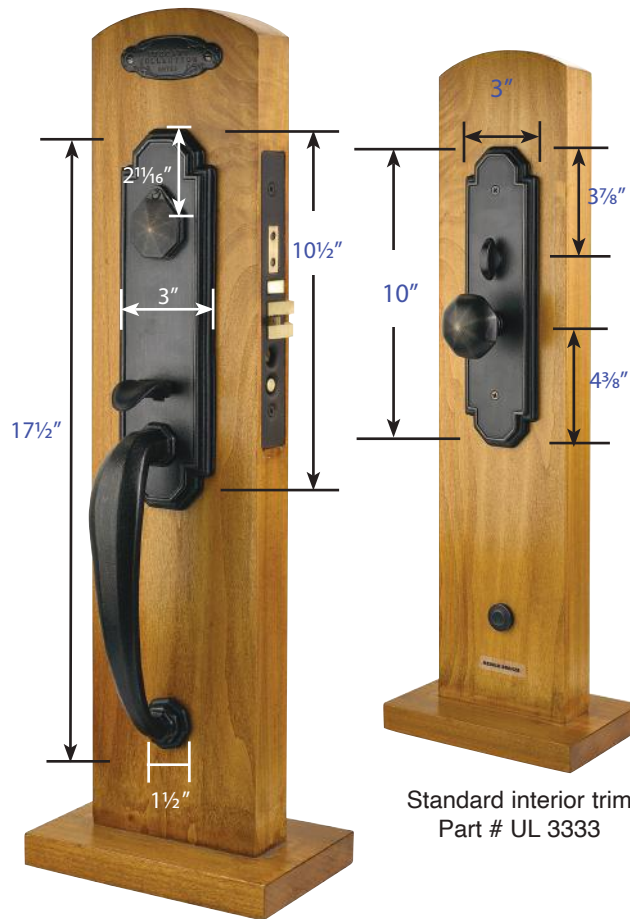
Additional Dimensions: (Part # UL 3327 & 3328)

- Exterior Projection is 3 1/8"
- Interior Projection Depends on Handle Style
- Overall Grip thickness: 1 3/4"
- Clearance between door & grip is 1 3/4"
- Plates thickness: 1/2"

Same dimensions for dummy function



Door Thickness Specifications		
<p>Standard Door Thickness: 1 3/4"</p> <p>Standard Components:</p> <ul style="list-style-type: none"> • 1 3/8" Threaded Cylinder • 2" Long Spindle • 2" Top Rosette Screw • 1 1/2" Bottom Rosette Screw • Thumbpress • Strikeplate 	<p>Extended Door Thickness: 1 7/8" - 2 1/4"</p> <p>Extended Components:</p> <ul style="list-style-type: none"> • 1 1/2" Threaded Cylinder • 2" Long Spindle • 2 1/2" Top Rosette Screw • 2" Bottom Rosette Screw • Thumbpress • Strikeplate 	<p>Extended Door Thickness: 2 3/8" - 2 5/8"</p> <p>Extended Components:</p> <ul style="list-style-type: none"> • 1 3/4" Threaded Cylinder • 2 1/4" Long Spindle • 2 1/2" Top Rosette Screw • 2" Bottom Rosette Screw • Extended Thumbpress • Extended Strikeplate • 2 3/4" TD Requires 2" Threaded Cylinder



Octagon
Trim Style
Part # UL 3333

Additional Dimensions: (Part # UL 3333)

- Exterior Projection is 3 1/16"
- Interior Projection Depends on Handle Style
- Overall Grip thickness: 2 1/8"
- Clearance between door & grip is 1 1/16"
- Plates thickness: 1/2"

Same dimensions for dummy function



Door Thickness Specifications

Standard Door Thickness: 1 3/4"

Standard Components:

- 1 1/2" Threaded Cylinder
- 2" Long Spindle
- 2" Top Rosette Screw
- 1 1/2" Bottom Rosette Screw
- Thumbpress
- Strikeplate

Extended Door Thickness: 1 7/8" - 2 1/4"

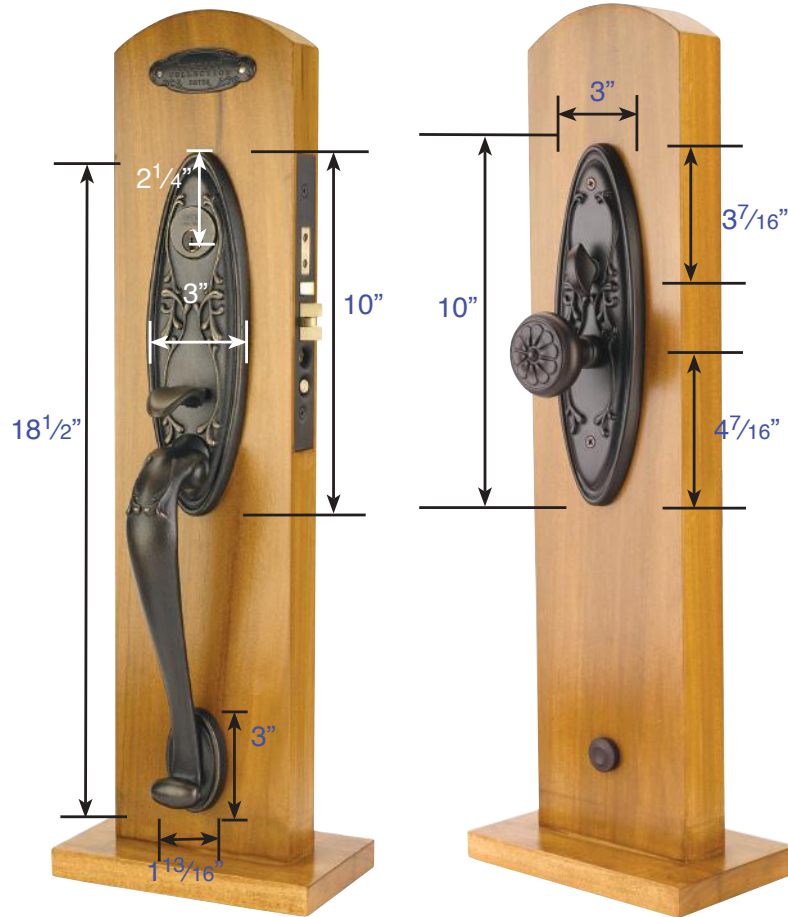
Extended Components:

- 1 1/2" Threaded Cylinder
- 2" Long Spindle
- 2 1/2" Top Rosette Screw
- 2" Bottom Rosette Screw
- Thumbpress
- Strikeplate

Extended Door Thickness: 2 3/8" - 2 5/8"

Extended Components:

- 1 3/4" Threaded Cylinder
- 2 1/4" Long Spindle
- 2 1/2" Top Rosette Screw
- 2" Bottom Rosette Screw
- Extended Thumbpress
- Extended Strikeplate
- **2 3/4" TD Requires 2" Threaded Cylinder**



Da Vinci
Trim Style
Part # UL 3331

Standard interior trim
Part # UL 3331

Additional Dimensions: (Part # UL 3331)

- Exterior Projection is 3 9/32"
- Interior Projection Depends on Handle Style
- Overall Grip thickness: 1 1/16"
- Clearance between door & grip is 1 7/8"
- Plates thickness: 1 1/16"

Same dimensions for dummy function



Door Thickness Specifications

Standard Door Thickness: 1 3/4"

Standard Components:

- 1 3/8" Threaded Cylinder
- 2" Long Spindle
- 2" Top Rosette Screw
- 1 1/2" Bottom Rosette Screw
- Thumbpress
- Strikeplate

Extended Door Thickness: 1 7/8" - 2 1/4"

Extended Components:

- 1 1/2" Threaded Cylinder
- 2" Long Spindle
- 2 1/2" Top Rosette Screw
- 2" Bottom Rosette Screw
- Thumbpress
- Strikeplate

Extended Door Thickness: 2 3/8" - 2 5/8"

Extended Components:

- 1 3/4" Threaded Cylinder
- 2 1/4" Long Spindle
- 2 1/2" Top Rosette Screw
- 2" Bottom Rosette Screw
- Extended Thumbpress
- Extended Strikeplate
- **2 3/4" TD Requires 2" Threaded Cylinder**