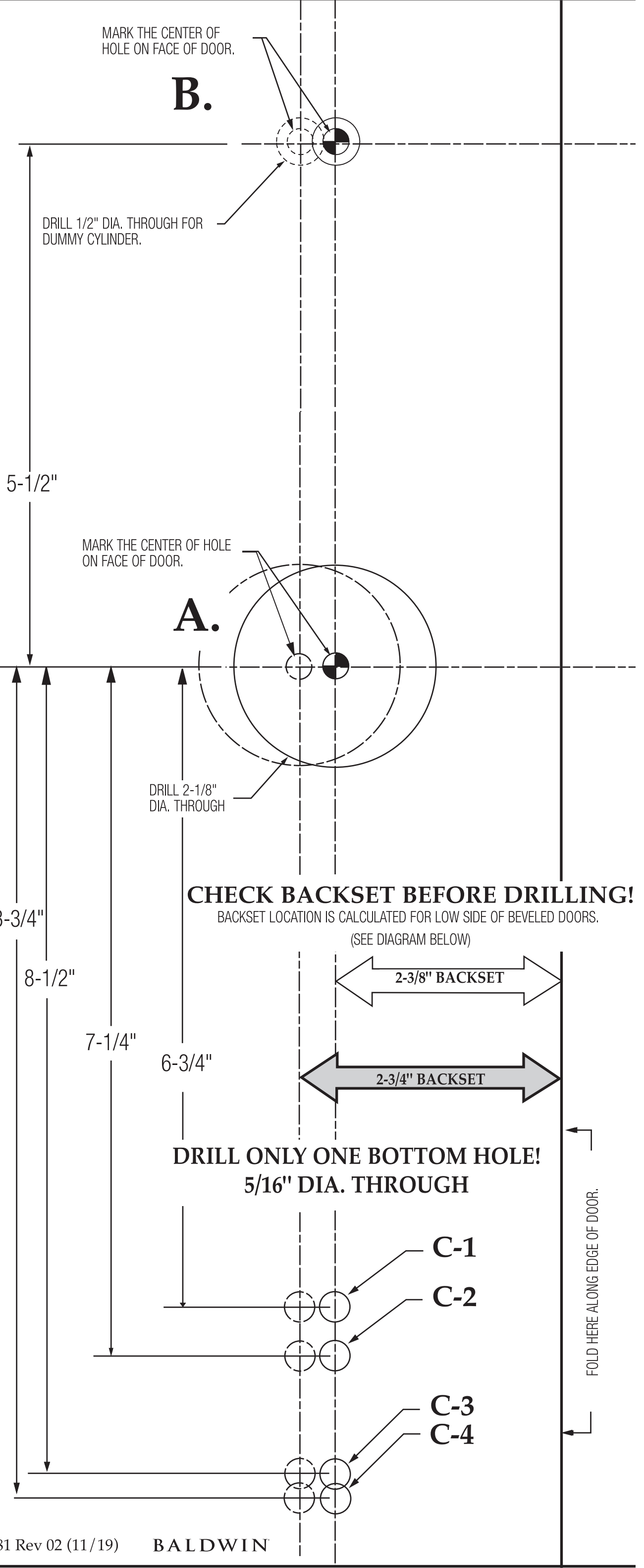
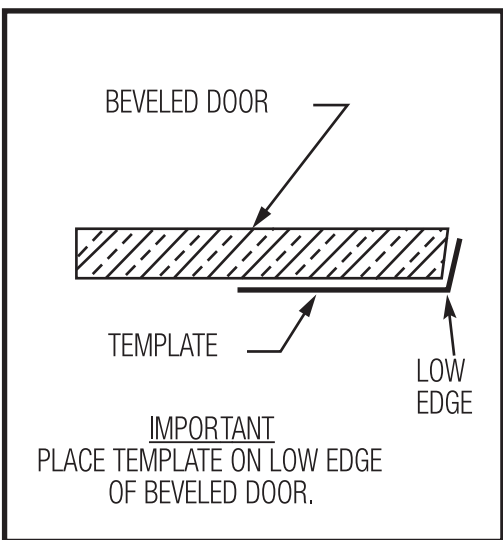


Trim	Drill Hole C
Bethpage	C3
Blakely	C2
Boulder	C4
Bristol	C1
Canterbury	C4
Cody	C4
Devonshire	C4
Hollywood Hills	C4
Kensington	C2
Logan	C2
Madison	C2
Manchester	C4
Minneapolis	C4
Palm Springs	C4
Soho	C4
Stonegate	C2
Tremont	C2

Visit [www.baldwinhardware.com](http://www.baldwinhardware.com) for Limited Lifetime Mechanical Warranty and Finish Warranty information.

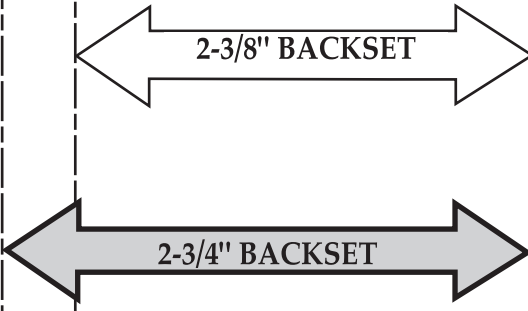
**FULL DUMMY TEMPLATE**

**LOCATE  
HANDLESET  
MECHANISM  
APPROX. 38"  
FROM FLOOR**



**CHECK BACKSET BEFORE DRILLING!**

BACKSET LOCATION IS CALCULATED FOR LOW SIDE OF BEVELED DOORS.  
(SEE DIAGRAM BELOW)



**DRILL ONLY ONE BOTTOM HOLE!  
5/16\"/>**

**C-1**  
**C-2**  
**C-3**  
**C-4**

FOLD HERE ALONG EDGE OF DOOR.

MARK THE CENTER OF HOLE ON FACE OF DOOR.

**B.**

DRILL 1/2" DIA. THROUGH FOR DUMMY CYLINDER.

Trim	Drill Hole C
Bethpage	C3
Blakely	C2
Boulder	C4
Bristol	C1
Canterbury	C4
Cody	C4
Devonshire	C4
Hollywood Hills	C4
Kensington	C2
Logan	C2
Madison	C2
Manchester	C4
Minneapolis	C4
Palm Springs	C4
Soho	C4
Stonegate	C2
Tremont	C2

MARK THE CENTER OF HOLE ON FACE OF DOOR.

**A.**

DRILL 2-1/8" DIA. THROUGH

**CHECK BACKSET BEFORE DRILLING!**

BACKSET LOCATION IS CALCULATED FOR LOW SIDE OF BEVELED DOORS.  
(SEE DIAGRAM BELOW)

2-3/8" BACKSET

2-3/4" BACKSET

**DRILL ONLY ONE BOTTOM HOLE!**  
5/16" DIA. THROUGH

C-1

C-2

C-3

C-4

5-1/2"

8-3/4"

8-1/2"

7-1/4"

6-3/4"

**LOCATE  
HANDLESET  
MECHANISM  
APPROX. 38"  
FROM FLOOR**

**FULL DUMMY TEMPLATE**

FOLD HERE ALONG EDGE OF DOOR.

